

Dynapac CA3500PD

Single drum vibratory rollers



Technical data

Masses	
Operating mass (incl. ROPS)	11900 kg
Operating mass (incl. Cab)	12100 kg
Module mass (front/rear)	7700 kg/4400 kg
Max. operating mass	12400 kg

Dimensions	
Drum width	2130 mm

Traction	
Speed range (Dual/TC/AS)	5/6/7/12 km/h
Vertical oscillation	±9°
Tyre size (8 ply)	23,1 x 26 TR
Theor. gradeability	57 %
Number of pads	130
Pad height	102 mm
Pad area	146 cm ²

Compaction	
Nominal amplitude (high/low)	1.8 mm/1.0 mm
Vibration frequency (high/low amplitude)	30 Hz/30 Hz
Centrifugal force (high/low amplitude)	260 kN/150 kN

Engine	
Manufacturer/Model	Cummins QSF3.8 (IV/4final)
Type	Water cooled turbo Diesel
Rated power, SAE J1995	97 kW (130 hp) @ 2200 rpm
Fuel tank capacity	272 l
DEF tank capacity	20 l

Engine	
Manufacturer/Model	Cummins QSB4.5 (IIIA/3)
Type	Water cooled turbo Diesel
Rated power, SAE J1995	97 kW (130 hp) @ 2200 rpm

Hydraulic system	
Driving	Hydrostatic
Vibration	Hydrostatic
Steering	Hydrostatic
Service brake	Hydrostatic in forward and reverse lever.
Parking/ Emergency brake	Failsafe multidisc brake in drum gear box and in rear axle.

Find us locally at www.dynapac.com

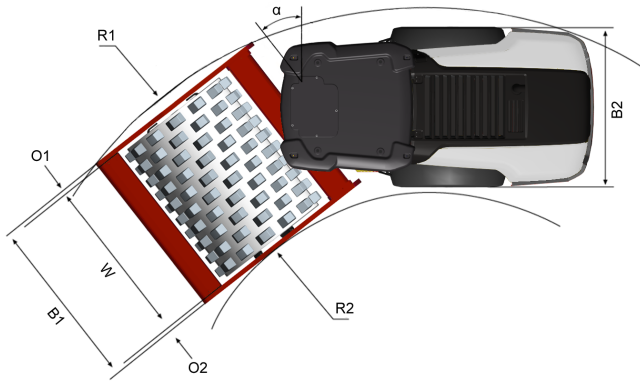
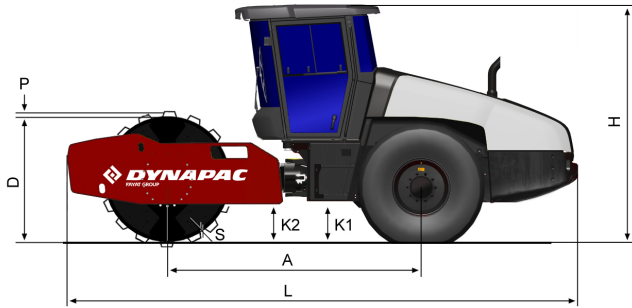
We reserve the right to change specifications without notice. Photos and illustrations do not always show standard versions of machines. The above information is a general description only, all informations are supplied without liability.

Dynapac CA3500PD

Single drum vibratory rollers



Technical data



Dimensions	
A. Wheelbase	2990 mm
B1. Width, front	2304 mm
B2. Width, rear	2130 mm
D. Drum diameter	1500 mm
H1. Height, with ROPS/cab	2970 mm
H2. Height, w/o ROPS/cab	2130 mm
K1. Ground clearance	450 mm
K2. Curb clearance	450 mm
L. Length	5990 mm
O1. Overhang, right	87 mm
O2. Overhang, left	87 mm
P. Pad height	102 mm
R1. Turning radius, outside	5450 mm
R2. Turning radius, inside	3300 mm
S. Drum shell thickness	25 mm
W. Drum width	2130 mm
α . Steering angle	$\pm 38^\circ$

Find us locally at www.dynapac.com

We reserve the right to change specifications without notice. Photos and illustrations do not always show standard versions of machines. The above information is a general description only, all informations are supplied without liability.