



# Dynapac CA1300D


## Single drum vibratory rollers





### Technical data

 <b>Masses</b>	
Operating mass (incl. ROPS)	4800 kg
Module mass (front/rear)	2050 kg/2750 kg
Max. operating mass	5300 kg

 <b>Traction</b>	
Speed range (Dual/TC/AS)	0 -6 km/h
Tyre size (8 ply)	12,5-20
Theor. gradeability	55 %
Vertical oscillation	±9°

 <b>Compaction</b>	
Static linear load	13 kg/cm
Nominal amplitude	1.7 mm
Vibration frequency	35 Hz
Centrifugal force	89 kN

 <b>Engine</b>	
Manufacturer/Model	Kubota V 3307 CR-TE4 (Stage IIIB/Tier4)
Type	Water cooled turbo Diesel
Rated power, SAE J1995	55 kW (75 hp ) @ 2200 rpm
Fuel tank capacity	117 l

 <b>Hydraulic system</b>	
Driving	Axial piston pump with variable displacement. Axial piston motor with constant displacement. Radial piston motor with constant displacement.
Vibration	Gear pump/motor with constant displacement.
Steering	Gear pump with constant displacement.
Service brake	Hydrostatic in forward and reverse lever.
Parking/ Emergency brake	Failsafe multidisc brake in rear axle and front drum motor.

Find us locally at [www.dynapac.com](http://www.dynapac.com)

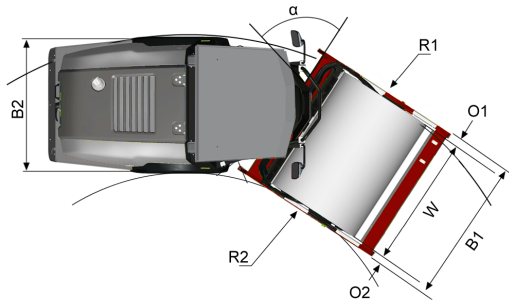
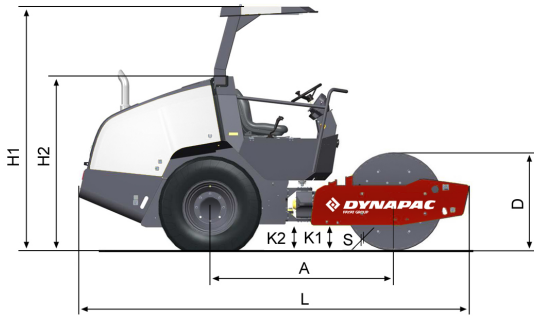
We reserve the right to change specifications without notice. Photos and illustrations do not always show standard versions of machines. The above information is a general description only, all informations are supplied without liability.

# Dynapac CA1300D

## Single drum vibratory rollers



### Technical data



Dimensions	
A. Wheelbase	1860 mm
B1. Width, front	1495 mm
B2. Width, rear	1400 mm
D. Drum diameter	1000 mm
H1. Height, with ROPS/cab	2530 mm
H2. Height, w/o ROPS/cab	1820 mm
K1. Ground clearance	260 mm
K2. Curb clearance	260 mm
L. Length	3950 mm
O1. Overhang, right	62 mm
O2. Overhang, left	62 mm
R1. Turning radius, outside	3900 mm
R2. Turning radius, inside	2460 mm
S. Drum shell thickness	22 mm
W. Drum width	1370 mm
α. Steering angle	±33°

Find us locally at [www.dynapac.com](http://www.dynapac.com)

We reserve the right to change specifications without notice. Photos and illustrations do not always show standard versions of machines. The above information is a general description only, all informations are supplied without liability.