



Dynapac CA1400D


Single drum vibratory rollers





Technical data

 Masses	
Operating mass (incl. ROPS)	6500 kg
Module mass (front/rear)	3400/3100 kg
Max. operating mass	7200 kg

 Compaction	
Static linear load	20 kg/cm
Nominal amplitude (high/low)	1,7/0,8 mm
Vibration frequency (high/low amplitude)	32/32 Hz
Centrifugal force (high/low amplitude)	114/55 kN

 Hydraulic system	
Driving	Hydrostatic with a traction pump supplying two parallel connected motors, one on rear axle and one on drum.
Vibration	Hydrostatic with a vibration pump supplying a motor connected to the eccentric axle generating the vibrations.
Steering	Mechanical-hydraulic with steering valve supplying the steering cylinder. Steering angle is proportional to steering wheel.
Service brake	Hydrostatic in forward and reverse lever.
Parking/ Emergency brake	Failsafe multidisc brake in rear axle and front drum motor.

 Engine	
Manufacturer/Model	Kubota V 3307 CR-TE4 (Stage IIIB/T4)
Type	Water cooled turbo diesel
Rated power, SAE J1995	55 kW (75 hp) @ 2,200 rpm
Fuel tank capacity	117 l

 Traction	
Speed range (Dual/TC/AS)	0-10 km/h
Tyre size (16 ply)	400/60-22.5 flotation
Theor. gradeability	56 %
Vertical oscillation	±9°

Find us locally at www.dynapac.com

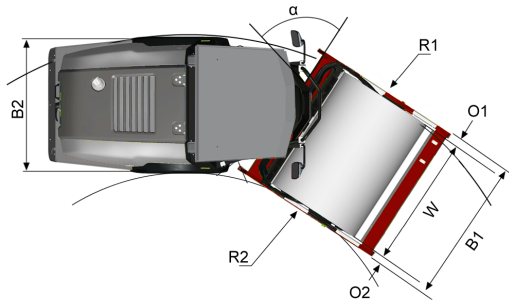
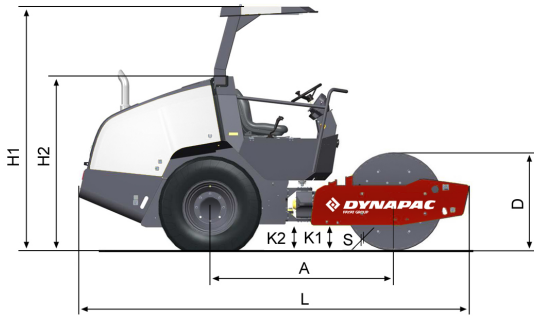
We reserve the right to change specifications without notice. Photos and illustrations do not always show standard versions of machines. The above information is a general description only, all informations are supplied without liability.

Dynapac CA1400D

Single drum vibratory rollers



Technical data



Dimensions	
A. Wheelbase	2200 mm
B1. Width, front	1870 mm
B2. Width, rear	1530 mm
D. Drum diameter	1219 mm
H1. Height, with ROPS	2700 mm
K1. Ground clearance	360 mm
K2. Curb clearance	360 mm
L. Length	4510 mm
O1. Overhang, right	95 mm
O2. Overhang, left	95 mm
R1. Turning radius, outside	4580 mm
R2. Turning radius, inside	2900 mm
S. Drum shell thickness	22 mm
W. Drum width	1676 mm
α. Steering angle	±33°



Standard equipment

Back up alarm, Battery switch (std), Brake release, Cup and can holder, Differential lock (limited slip), Drive control (right side), Drum drive, ECO mode, Emergency stop, Engine 55 kW (StagellIB/Tier4final), Engine hood (lockable), Fuel level display, High mounted exhaust pipe, Horn, Hour meter display, Hydraulic checkpoints, Hydraulic fluid filter ("spin-on"), Hydraulic fluid (mineral), Interlock, Key (starter), Lifting points, Lifting points for jack, Manuals (Operation & Maintenance), Manuals (Spare parts catalogue), Operator's platform (rubber mouted), Operator's station (fixed), Parking brake, ROPS (fixed), Seat (adjustable), Seat belt 3", Storage box (on platform), Storage for laminated manuals, Tie down points, Vandal cover (instrument panel), Warning lights (brake, engine oil pressure, engine oil temperature, engine diagnostics, low charge, low fuel level)

Find us locally at www.dynapac.com

We reserve the right to change specifications without notice. Photos and illustrations do not always show standard versions of machines. The above information is a general description only, all informations are supplied without liability.