

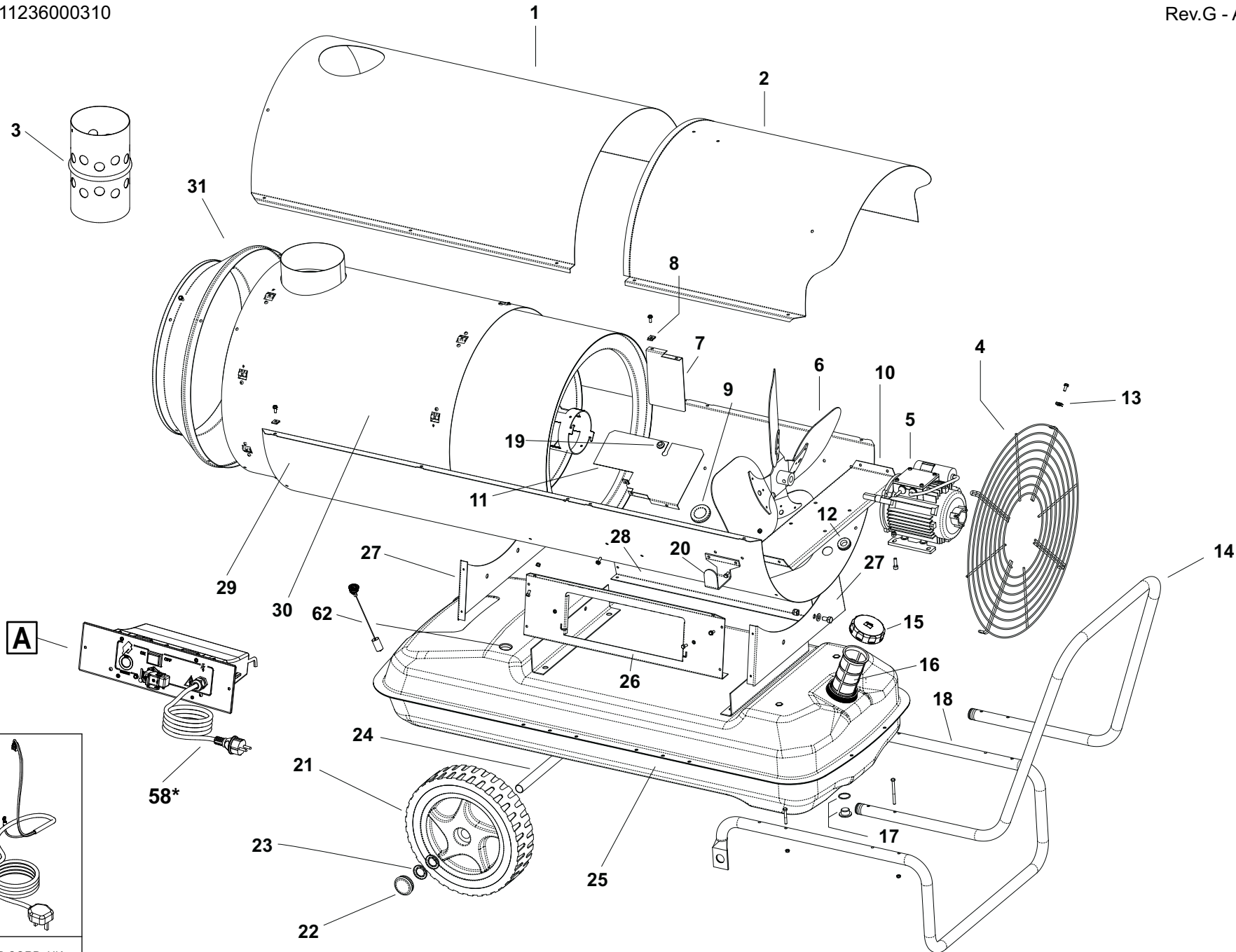
MODEL BV290 E

UNIT 1

ILLUSTRATED PARTS BREAKDOWN

From Serial Number: 11236000310

Rev.G - Apr. 2016

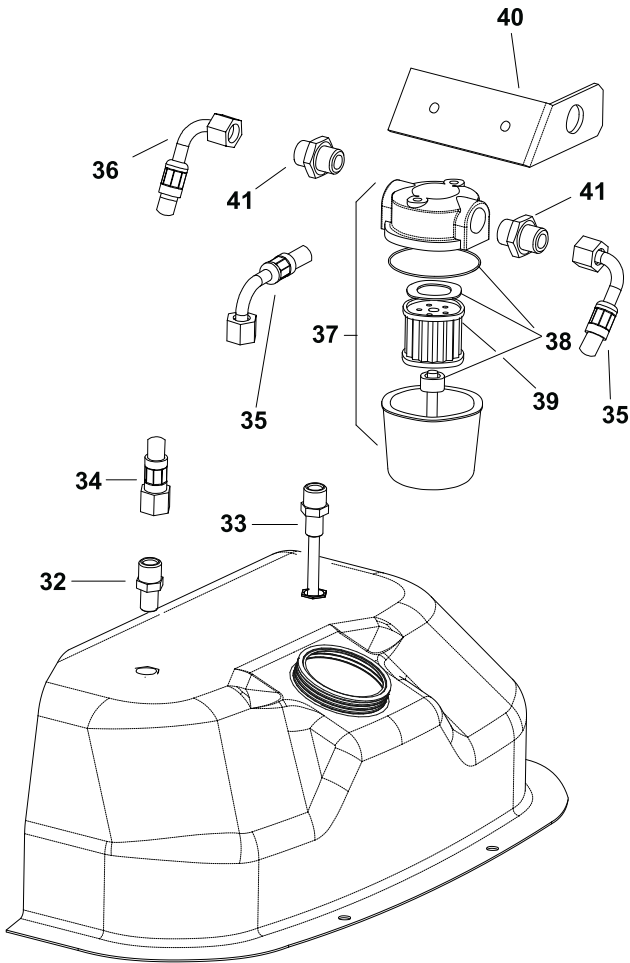


58-A		58-B	
*		*	
POWER CORD NEW ZEALAND		POWER CORD UK	

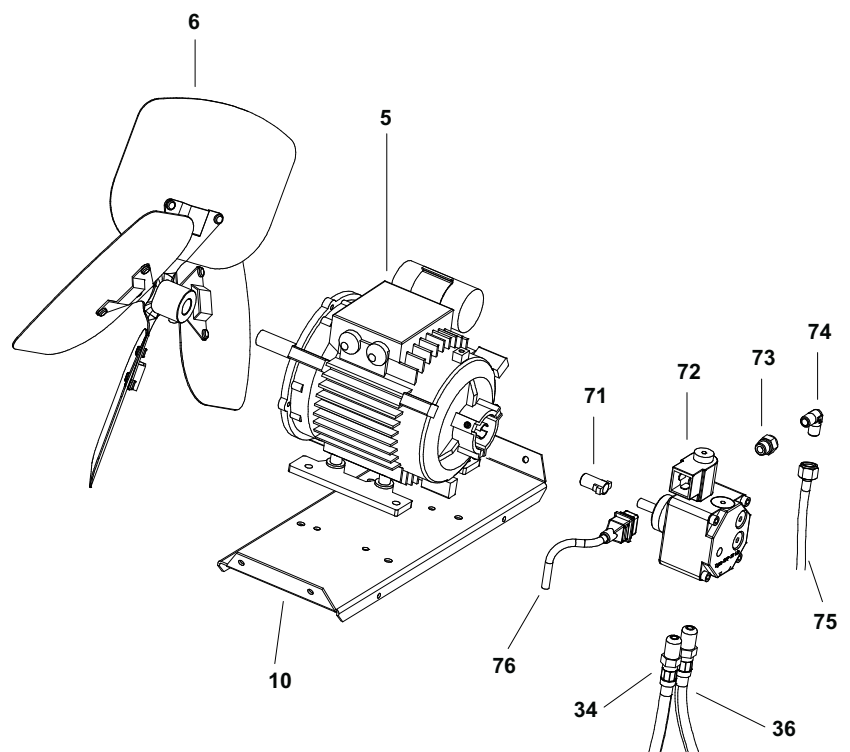
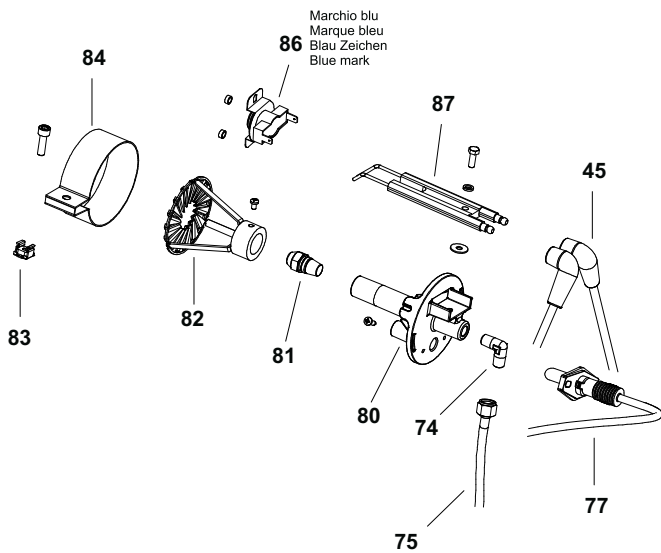
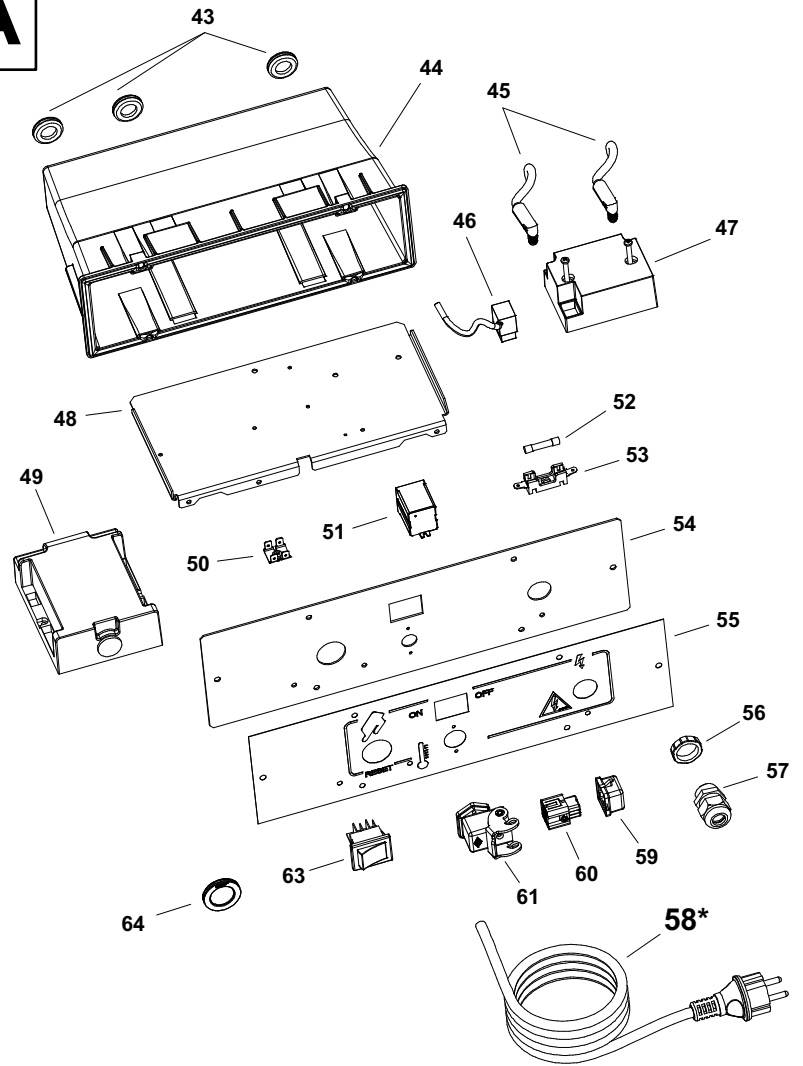
MODEL BV290 E

UNIT 2

ILLUSTRATED PARTS BREAKDOWN



A



MODEL BV290 E

UNIT 3

PARTS LIST

Pos.	Code NR	Description	Rev. G - Apr. 2016
1	4032.456	UPPER BODY	
2	4033.263	UPPER BODY MOBILE	
3	4032.385	CHIMNEY	
4	4032.465	INLET GRILL	
5	4032.370	MOTOR 4P 750 W	
6	4033.019	FAN	
7	4032.518	CENTRAL AIR FLAP	
8	4104.170	CLIP NUT	
9	4111.056	PROTECTION CABLE	
10	4032.463	MOTOR FLANGE SUPPORT	
11	4032.462	AIR FLAP	
12	4160.646	PROTECTION CABLE	
13	4111.241	ELASTIC PLATE	
14	4032.480	HANDLE FRAME	
15	4260.100	TANK CAP	
16	4290.213	TANK FILTER	
17	4100.632	DRAIN PLUG	
18	4032.476	FOOT FRAME	
19	4101.151	PROTECTION CABLE	
20	4032.536	POWER CORD HOOK	
21	4110.978	WHEEL	
22	4111.480	WHEEL PLUG	
23	4111.072	WHEEL HOLDER	
24	4032.478	AXLE	
25	4033.243	FUEL TANK	
26	4032.466	ELECTR. COMPONENTS DRAWER PANEL	
27	4032.470	LATERAL PANEL	
28	4032.468	REAR PANEL	
29	4033.264	LOWER BODY	
30	4033.190	COMBUSTION CHAMBER	
31	4033.223	OUTLET CONE	
32	4031.068	CONN. STRAIGHT 1/4"	
33	4031.067	PIPE CONNECTION 1/4"	
34	4031.062	FUEL PIPE PUMP-TANK	
35	4031.063	FUEL PIPE TANK-FILTER	
36	4031.061	FUEL PIPE FILTER-PUMP	
37	4033.090	FILTER CARTIDGE 3/8"	
38	4111.116	OR KIT FILTER	
39	4031.494	FILTER CARTIDGE	
40	4032.437	FILTER SUPPORT	
41	4031.064	DOUBLE SCREW	
43	4160.646	PROTECTION CABLE	
44	4033.257	PLASTIX BOX	
45	4110.490	HT CABLE	
46	4033.256	POWER CORD TRANSFORMATOR HT	
47	4031.541	TRANSFORMER HT	
48	4033.249	CONTROL BASE	
49	4032.774	CONTROL BOX	
50	4160.639	POP RIVET 4 WAY	
51	4111.032	RELAY	
52	4111.040	FUSE	
53	4033.301	FUSE HOLDER	
54	4033.248	FRONTAL CONTROLS PANEL	

ESP00140

MODEL BV290 E

UNIT 4

PARTS LIST

Pos.	Code NR	Description	Rev. G - Apr. 2016
55	4033.254	PANEL LABEL	
56	4100.656	LOCKNUT	
57	4150.528	STRAIN RELIEF BUSHING	
58	4033.253	POWER CORD SCHUKO	
58-A	4033.252	POWER CORD NEW ZEALAND	
58-B	4033.302	POWER CORD UK	
59	4162.467	THERMOSTAT CAP	
60	4161.400	CONNECTION PLUG	
61	4160.647	THERMOSTAT SOCKET 90°	
62	4260.105	FUEL GAUGE	
63	4165.204	ROCKER SWITCH	
64	4033.251	BOARD BUTTON CAP	
71	4111.081	COUPLING	
72	4033.122	PUMP	
73	4161.501	CONN. STRAIGHT 1/8"	
74	4033.198	ELBOW 1/8"	
75	4033.186	OIL SUPPLY PIPE	
76	4033.311	PUMP POWER CORD	
77	4033.246	PHOTOCELL	
80	4033.059	BURNER FLANGE	
81	4031.030	NOZZLE	
82	4033.071	TURBO DISC	
83	4032.454	M6 NUT	
84	4032.453	AIR REGULATION FLAP	
86	4031.047	LIMIT THERMOSTAT	
87	4111.826	ELECTRODE	

RECOMMENDED SPARE PARTS

POS.	Code NR	Description	Rev. G - Apr. 2016
7	4032.518	MOTOR 4P 750 W	
38	4111.116	OR KIT FILTER	
39	4031.494	FILTER CARTIDGE	
45	4110.490	HT CABLE	
47	4031.541	TRANSFORMER HT	
49	4032.774	CONTROL BOX	
51	4111.032	RELAY	
52	4111.040	FUSE	
59	4162.467	THERMOSTAT CAP	
71	4111.081	COUPLING	
72	4033.122	PUMP	
76	4033.311	PUMP POWER CORD	
77	4033.246	PHOTOCELL	
81	4031.030	NOZZLE	
86	4031.047	LIMIT THERMOSTAT	
87	4111.826	ELECTRODE	

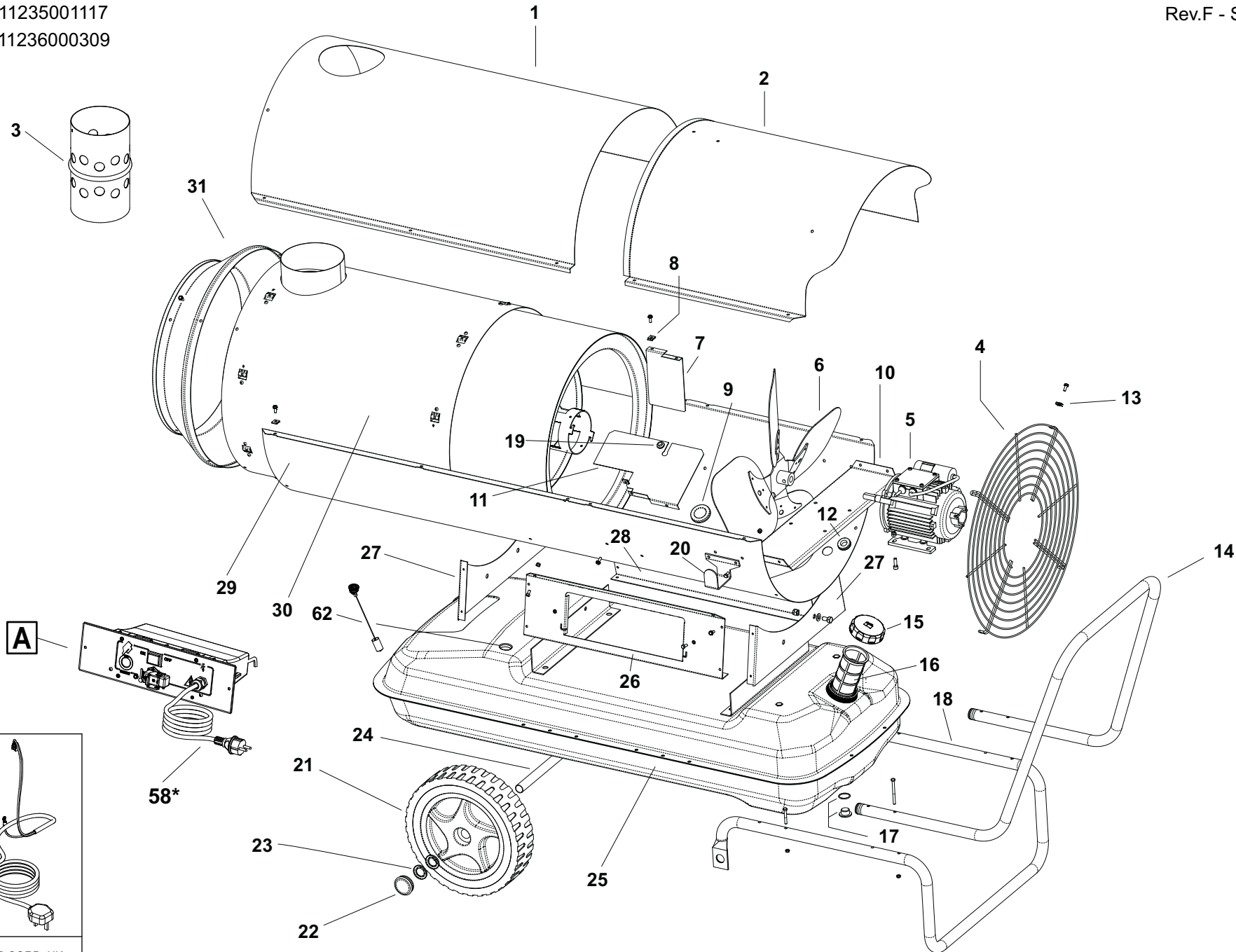
MODEL BV290 E

UNIT 1

ILLUSTRATED PARTS BREAKDOWN

From Serial Number: 11235001117
Until Serial Number: 11236000309

Rev.F - SEPT. 2015

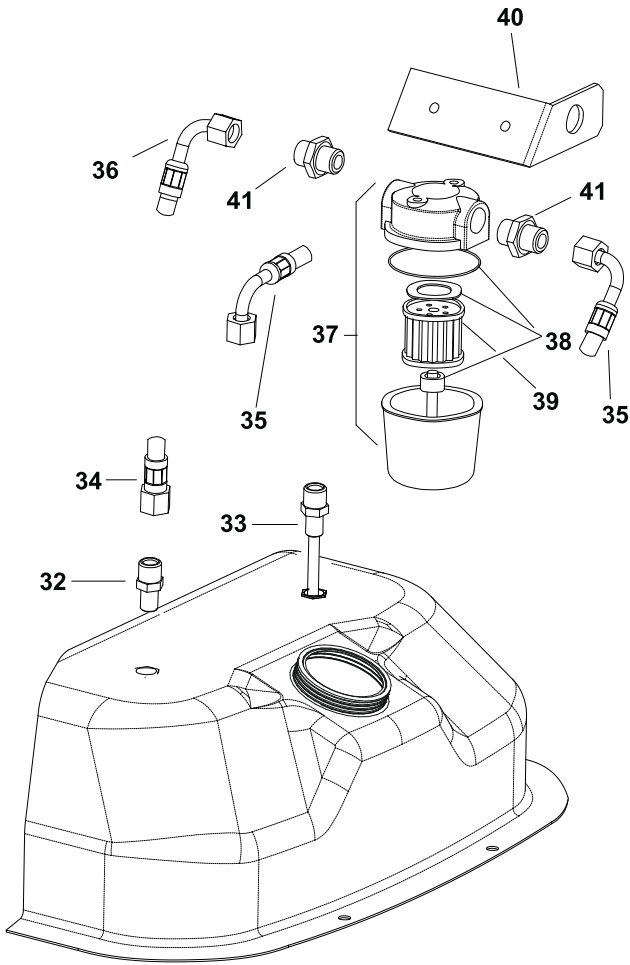


58-A	58-B
*	*
POWER CORD NEW ZEALAND	POWER CORD UK

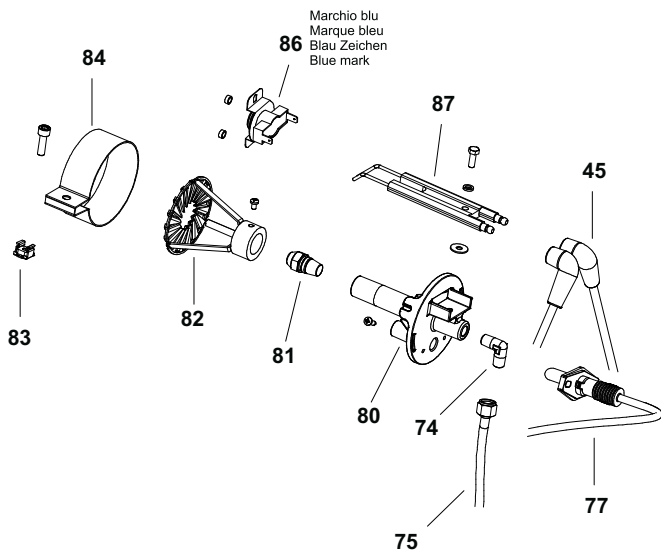
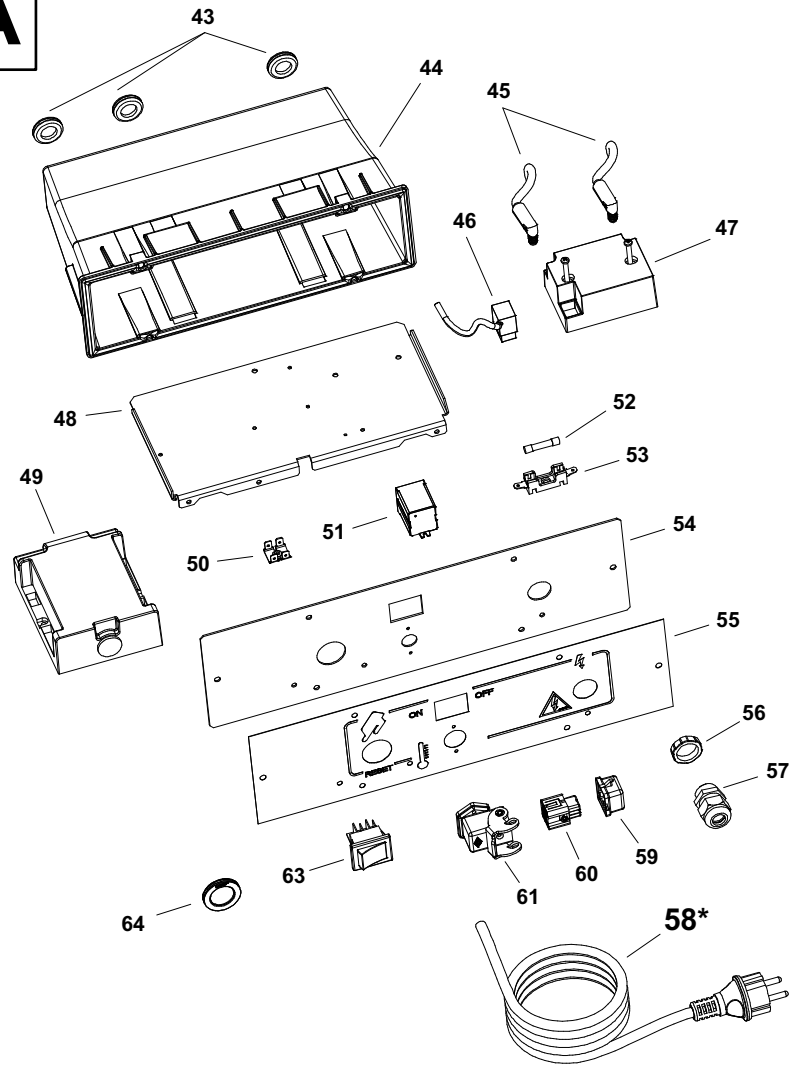
MODEL BV290 E

UNIT 2

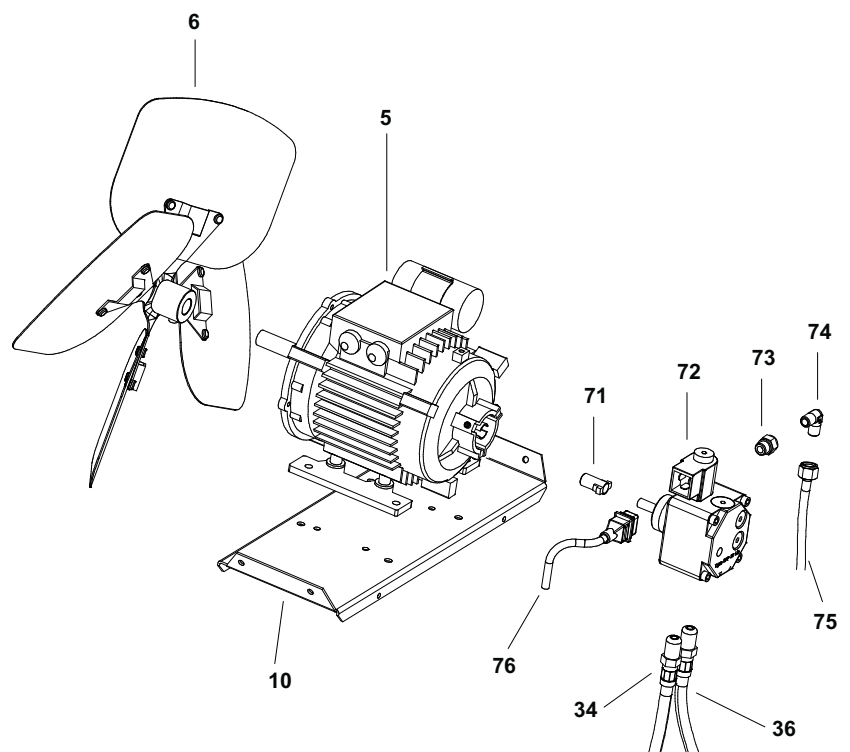
ILLUSTRATED PARTS BREAKDOWN



A



Marchio blu
Marque bleu
Blau Zeichen
Blue mark



MODEL BV290 E

UNIT 3

PARTS LIST

Pos.	Code NR	Description	Rev. F - SEPT. 2015
1	4032.456	UPPER BODY	
2	4033.263	UPPER BODY MOBILE	
3	4032.385	CHIMNEY	
4	4032.465	INLET GRILL	
5	4032.370	MOTOR 4P 750 W	
6	4033.019	FAN	
7	4032.518	CENTRAL AIR FLAP	
8	4104.170	CLIP NUT	
9	4111.056	PROTECTION CABLE	
10	4032.463	MOTOR FLANGE SUPPORT	
11	4032.462	AIR FLAP	
12	4160.646	PROTECTION CABLE	
13	4111.241	ELASTIC PLATE	
14	4032.480	HANDLE FRAME	
15	4260.100	TANK CAP	
16	4290.213	TANK FILTER	
17	4100.632	DRAIN PLUG	
18	4032.476	FOOT FRAME	
19	4101.151	PROTECTION CABLE	
20	4032.536	POWER CORD HOOK	
21	4110.978	WHEEL	
22	4111.480	WHEEL PLUG	
23	4111.072	WHEEL HOLDER	
24	4032.478	AXLE	
25	4033.243	FUEL TANK	
26	4032.466	ELECTR. COMPONENTS DRAWER PANEL	
27	4032.470	LATERAL PANEL	
28	4032.468	REAR PANEL	
29	4033.264	LOWER BODY	
30	4033.190	COMBUSTION CHAMBER	
31	4033.223	OUTLET CONE	
32	4031.068	CONN. STRAIGHT 1/4"	
33	4031.067	PIPE CONNECTION 1/4"	
34	4031.062	FUEL PIPE PUMP-TANK	
35	4031.063	FUEL PIPE TANK-FILTER	
36	4031.061	FUEL PIPE FILTER-PUMP	
37	4033.090	FILTER CARTIDGE 3/8"	
38	4111.116	OR KIT FILTER	
39	4031.494	FILTER CARTIDGE	
40	4032.437	FILTER SUPPORT	
41	4031.064	DOUBLE SCREW	
43	4160.646	PROTECTION CABLE	
44	4033.257	PLASTIX BOX	
45	4110.490	HT CABLE	
46	4033.256	POWER CORD TRANSFORMATOR HT	
47	4031.541	TRANSFORMER HT	
48	4033.249	CONTROL BASE	
49	4033.330	CONTROL BOX	
50	4160.639	POP RIVET 4 WAY	
51	4111.032	RELAY	
52	4111.040	FUSE	
53	4033.301	FUSE HOLDER	
54	4033.248	FRONTAL CONTROLS PANEL	

ESP00140

MODEL BV290 E

UNIT 4

PARTS LIST

Pos.	Code NR	Description	Rev. F - SEPT. 2015
55	4033.254	PANEL LABEL	
56	4100.656	LOCKNUT	
57	4150.528	STRAIN RELIEF BUSHING	
58	4033.253	POWER CORD SCHUKO	
58-A	4033.252	POWER CORD NEW ZEALAND	
58-B	4033.302	POWER CORD UK	
59	4162.467	THERMOSTAT CAP	
60	4161.400	CONNECTION PLUG	
61	4160.647	THERMOSTAT SOCKET 90°	
62	4260.105	FUEL GAUGE	
63	4165.204	ROCKER SWITCH	
64	4033.251	BOARD BUTTON CAP	
71	4111.081	COUPLING	
72	4033.122	PUMP	
73	4161.501	CONN. STRAIGHT 1/8"	
74	4033.198	ELBOW 1/8"	
75	4033.186	OIL SUPPLY PIPE	
76	4033.311	PUMP POWER CORD	
77	4033.246	PHOTOCELL	
80	4033.059	BURNER FLANGE	
81	4031.030	NOZZLE	
82	4033.071	TURBO DISC	
83	4032.454	M6 NUT	
84	4032.453	AIR REGULATION FLAP	
86	4031.047	LIMIT THERMOSTAT	
87	4111.826	ELECTRODE	

RECOMMENDED SPARE PARTS

POS.	Code NR	Description	Rev. F - SEPT. 2015
7	4032.370	MOTOR 4P 750 W	
38	4111.116	OR KIT FILTER	
39	4031.494	FILTER CARTIDGE	
52	4111.040	FUSE	
59	4162.467	THERMOSTAT CAP	
47	4031.541	TRANSFORMER HT	
49	4033.330	CONTROL BOX	
51	4031.514	RELAY	
45	4110.490	HT CABLE	
71	4111.081	COUPLING	
72	4033.122	PUMP	
76	4033.311	PUMP POWER CORD	
77	4033.246	PHOTOCELL	
81	4031.030	NOZZLE	
86	4031.047	LIMIT THERMOSTAT	
87	4111.826	ELECTRODE	

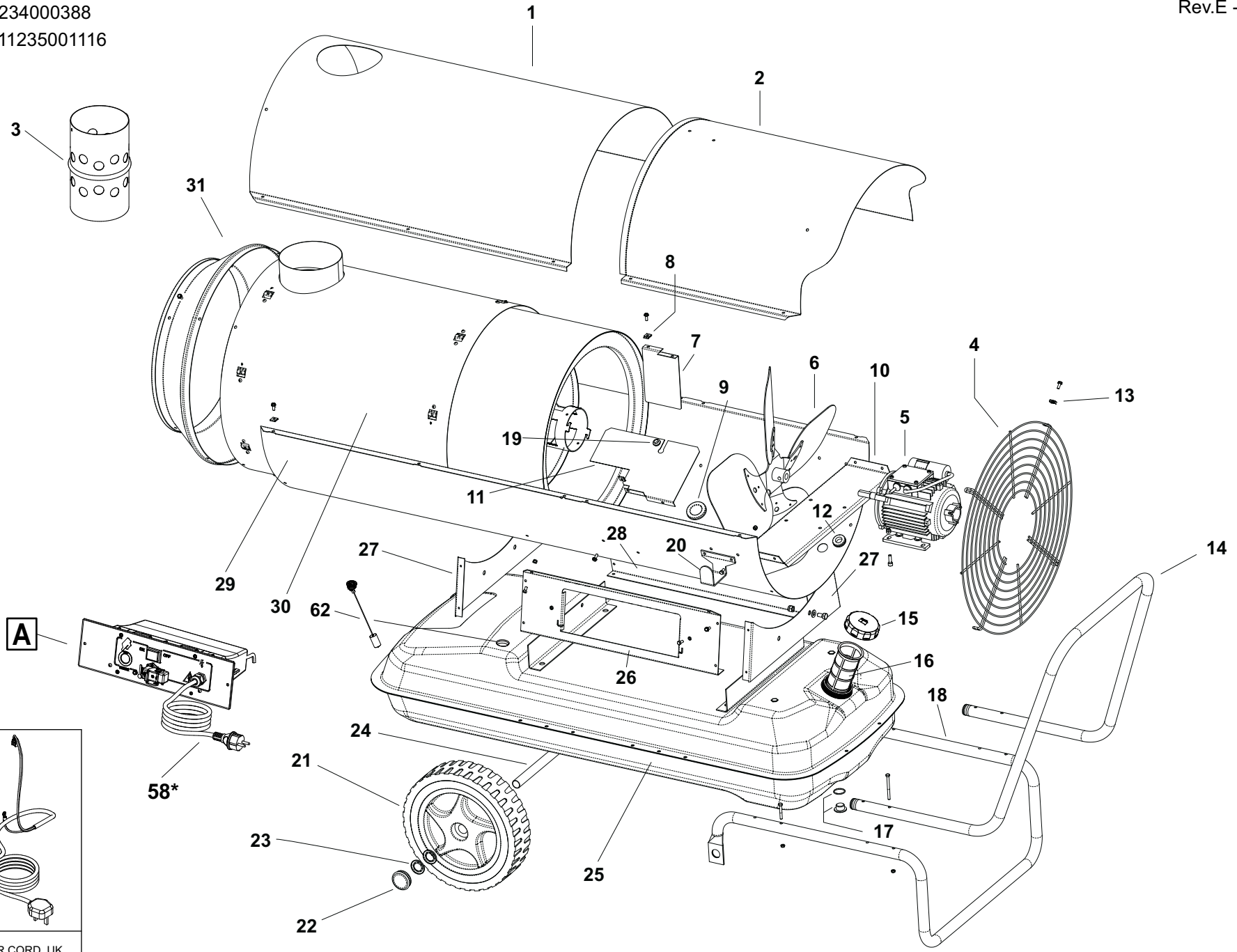
MODEL BV290 E

UNIT 1

ILLUSTRATED PARTS BREAKDOWN

From Serial Number: 234000388
Until Serial Number: 11235001116

Rev.E - June 2014



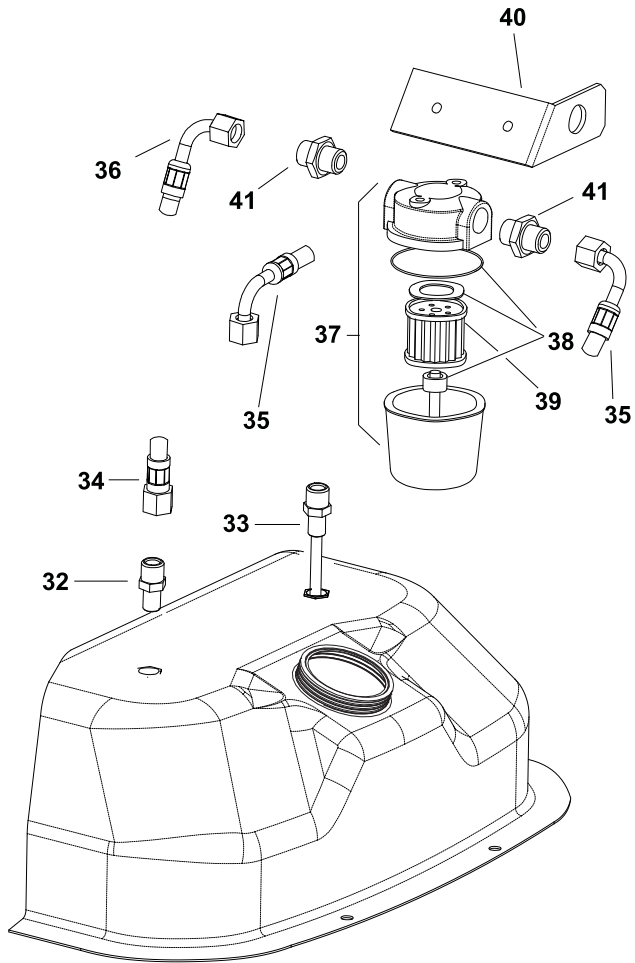
A

58-A	
POWER CORD NEW ZEALAND	
58-B	
POWER CORD UK	

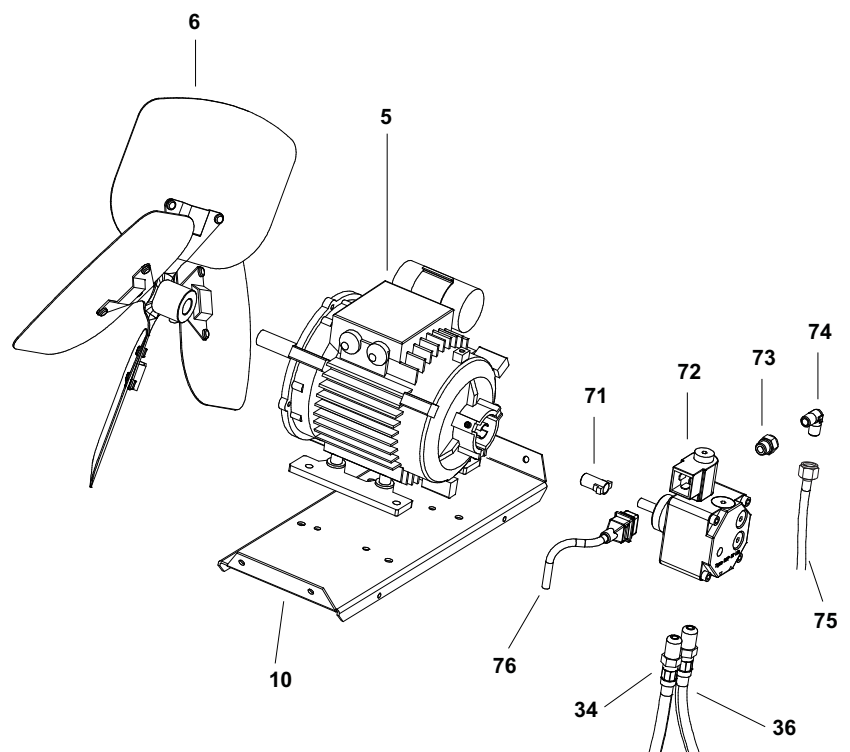
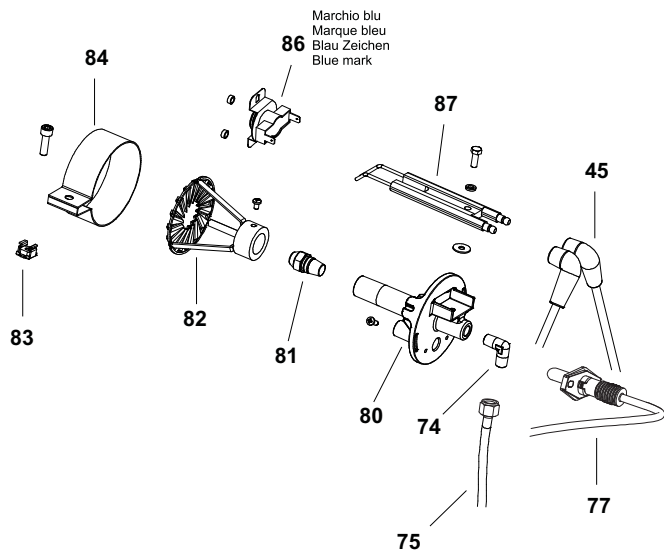
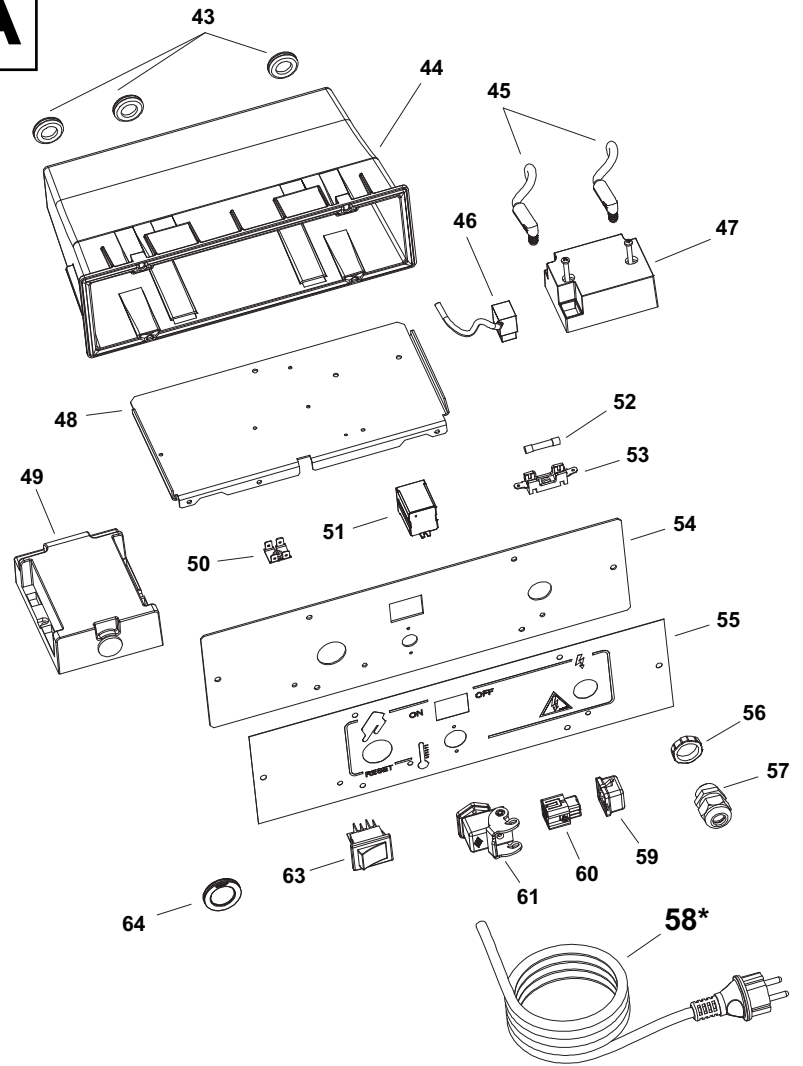
MODEL BV290 E

UNIT 2

ILLUSTRATED PARTS BREAKDOWN



A



MODEL BV290 E

UNIT 3

PARTS LIST

Pos.	Code NR	Description	Rev. E - June 2014
1	4032.456	UPPER BODY	
2	4033.263	UPPER BODY MOBILE	
3	4032.385	CHIMNEY	
4	4032.465	INLET GRILL	
5	4032.370	MOTOR 4P 750 W	
6	4033.019	FAN	
7	4032.518	CENTRAL AIR FLAP	
8	4104.170	CLIP NUT	
9	4111.056	PROTECTION CABLE	
10	4032.463	MOTOR FLANGE SUPPORT	
11	4032.462	AIR FLAP	
12	4160.646	PROTECTION CABLE	
13	4111.241	ELASTIC PLATE	
14	4032.480	HANDLE FRAME	
15	4260.100	TANK CAP	
16	4290.083	TANK FILTER	
17	4100.632	DRAIN PLUG	
18	4032.476	FOOT FRAME	
19	4101.151	PROTECTION CABLE	
20	4032.536	POWER CORD HOOK	
21	4110.978	WHEEL	
22	4111.480	WHEEL PLUG	
23	4111.072	WHEEL HOLDER	
24	4032.478	AXLE	
25	4033.243	FUEL TANK	
26	4032.466	ELECTR. COMPONENTS DRAWER PANEL	
27	4032.470	LATERAL PANEL	
28	4032.468	REAR PANEL	
29	4033.264	LOWER BODY	
30	4033.190	COMBUSTION CHAMBER	
31	4033.223	OUTLET CONE	
32	4031.068	CONN. STRAIGHT 1/4"	
33	4031.067	PIPE CONNECTION 1/4"	
34	4031.062	FUEL PIPE PUMP-TANK	
35	4031.063	FUEL PIPE TANK-FILTER	
36	4031.061	FUEL PIPE FILTER-PUMP	
37	4033.090	FILTER CARTIDGE 3/8"	
38	4111.116	OR KIT FILTER	
39	4031.494	FILTER CARTIDGE	
40	4032.437	FILTER SUPPORT	
41	4031.064	DOUBLE SCREW	
43	4160.646	PROTECTION CABLE	
44	4033.257	PLASTIX BOX	
45	4110.490	HT CABLE	
46	4033.256	POWER CORD TRANSFORMATOR HT	
47	4031.541	TRANSFORMER HT	
48	4033.249	CONTROL BASE	
49	4033.330	CONTROL BOX	
50	4160.639	POP RIVET 4 WAY	
51	4111.032	RELAY	
52	4111.040	FUSE	
53	4033.301	FUSE HOLDER	
54	4033.248	FRONTAL CONTROLS PANEL	

ESP00140

MODEL BV290 E

UNIT 4

PARTS LIST

Pos.	Code NR	Description	Rev. E - June 2014
55	4033.254	PANEL LABEL	
56	4100.656	LOCKNUT	
57	4150.528	STRAIN RELIEF BUSHING	
58	4033.253	POWER CORD SCHUKO	
58-A	4033.252	POWER CORD NEW ZEALAND	
58-B	4033.302	POWER CORD UK	
59	4162.467	THERMOSTAT CAP	
60	4161.400	CONNECTION PLUG	
61	4160.647	THERMOSTAT SOCKET 90°	
62	4260.105	FUEL GAUGE	
63	4165.204	ROCKER SWITCH	
64	4033.251	BOARD BUTTON CAP	
71	4111.081	COUPLING	
72	4033.122	PUMP	
73	4161.501	CONN. STRAIGHT 1/8"	
74	4033.198	ELBOW 1/8"	
75	4033.186	OIL SUPPLY PIPE	
76	4033.087	PUMP POWER CORD	
77	4033.246	PHOTOCELL	
80	4033.059	BURNER FLANGE	
81	4031.030	NOZZLE	
82	4033.071	TURBO DISC	
83	4032.454	M6 NUT	
84	4032.453	AIR REGULATION FLAP	
86	4031.047	LIMIT THERMOSTAT	
87	4111.826	ELECTRODE	

RECOMMENDED SPARE PARTS

POS.	Code NR	Description	Rev. E - June 2014
7	4032.370	MOTOR 4P 750 W	
38	4111.116	OR KIT FILTER	
39	4031.494	FILTER CARTIDGE	
52	4111.040	FUSE	
59	4162.467	THERMOSTAT CAP	
47	4031.541	TRANSFORMER HT	
49	4033.330	CONTROL BOX	
51	4031.514	RELAY	
45	4110.490	HT CABLE	
71	4111.081	COUPLING	
72	4033.122	PUMP	
76	4033.087	PUMP POWER CORD	
77	4033.246	PHOTOCELL	
81	4031.030	NOZZLE	
86	4031.047	LIMIT THERMOSTAT	
87	4111.826	ELECTRODE	

MODEL BV290 E

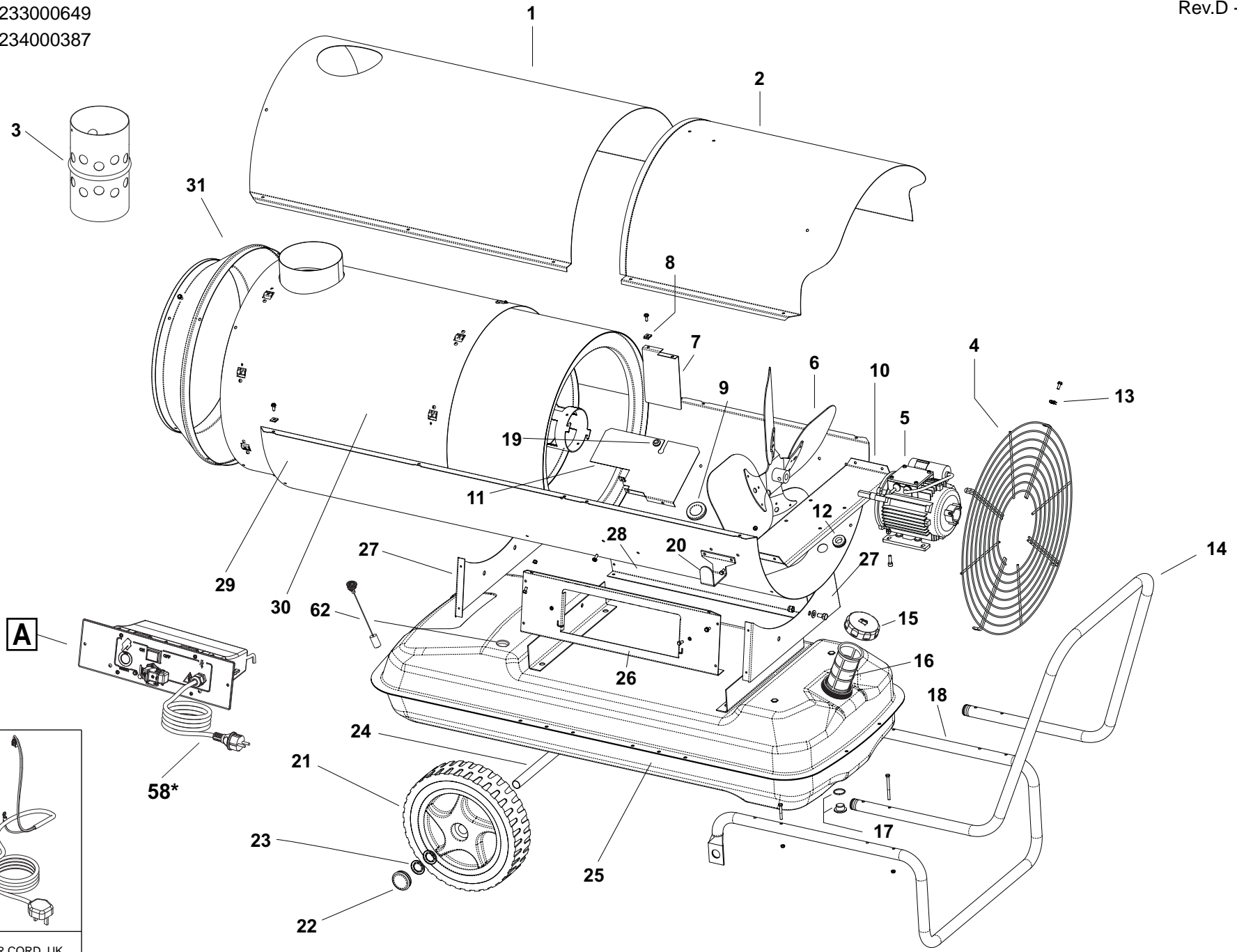
UNIT 1

ILLUSTRATED PARTS BREAKDOWN

From Serial Number: 233000649

From Serial Number: 234000387

Rev.D - May 2013

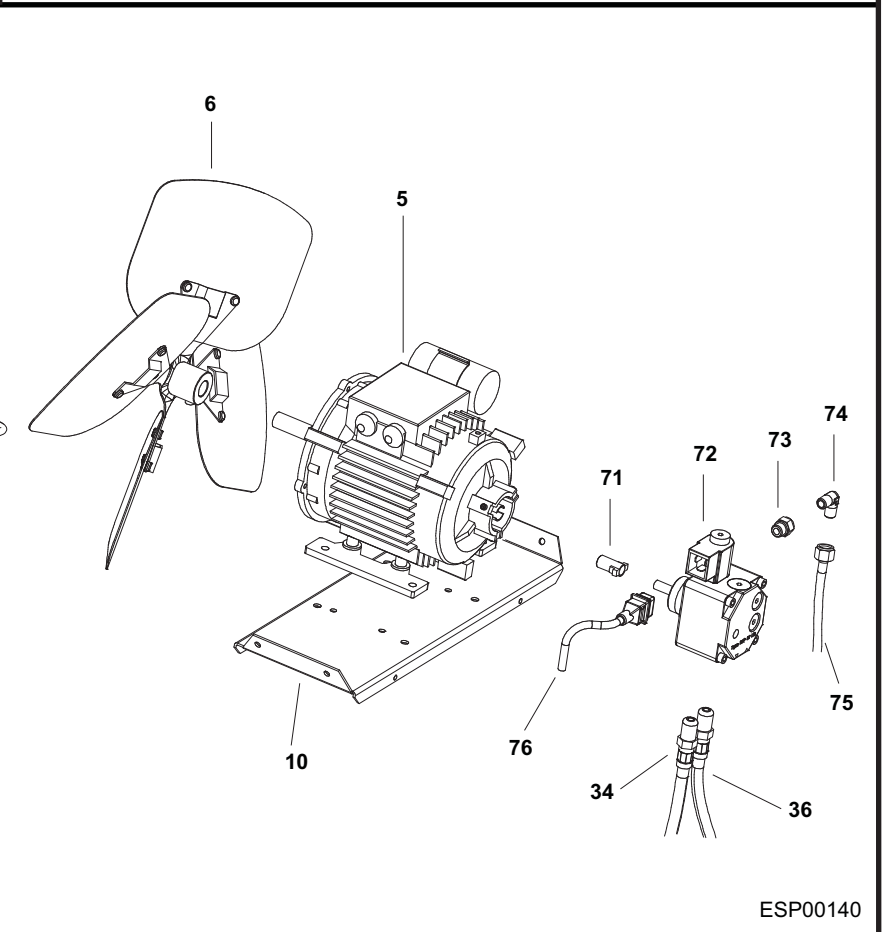
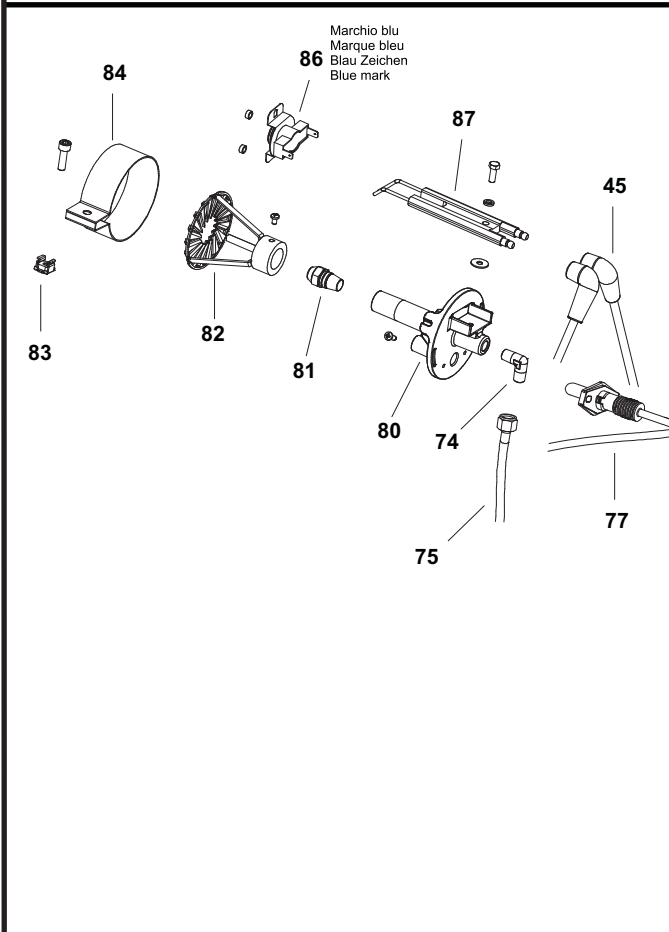
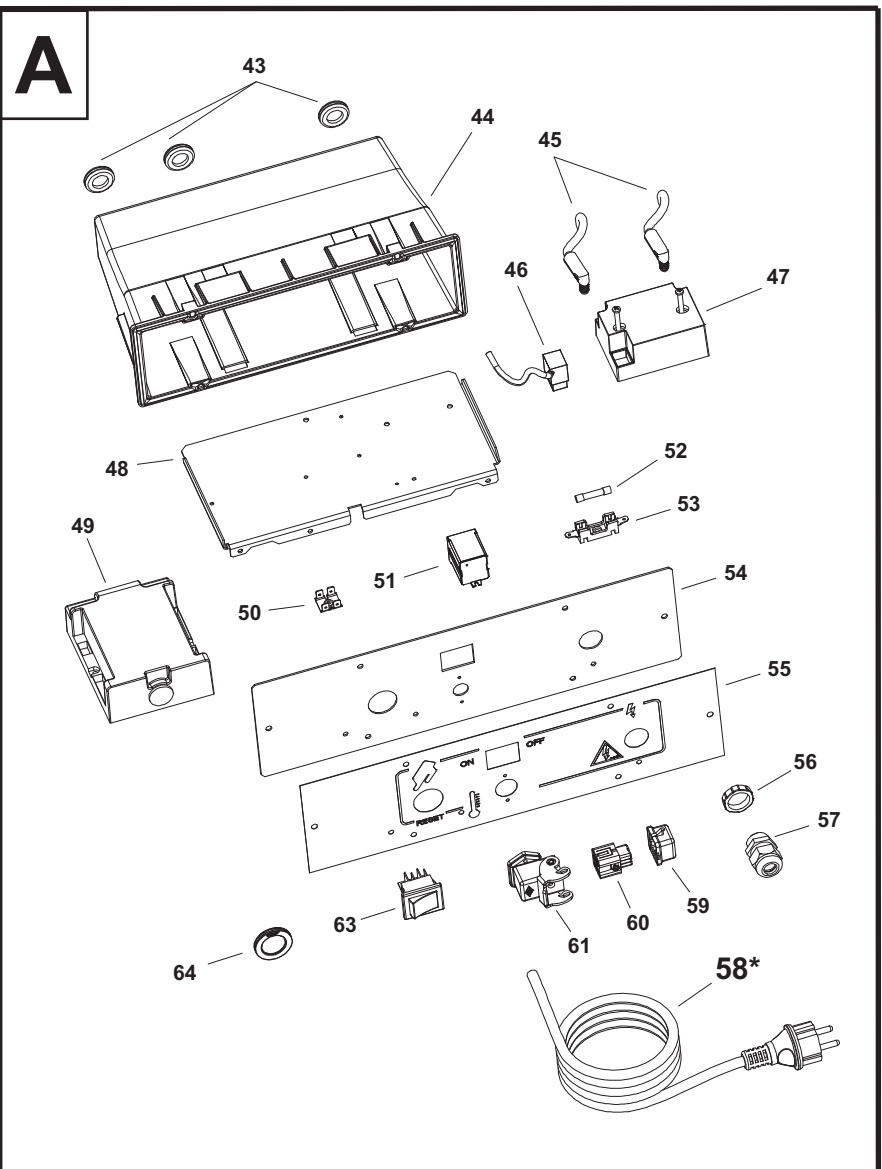
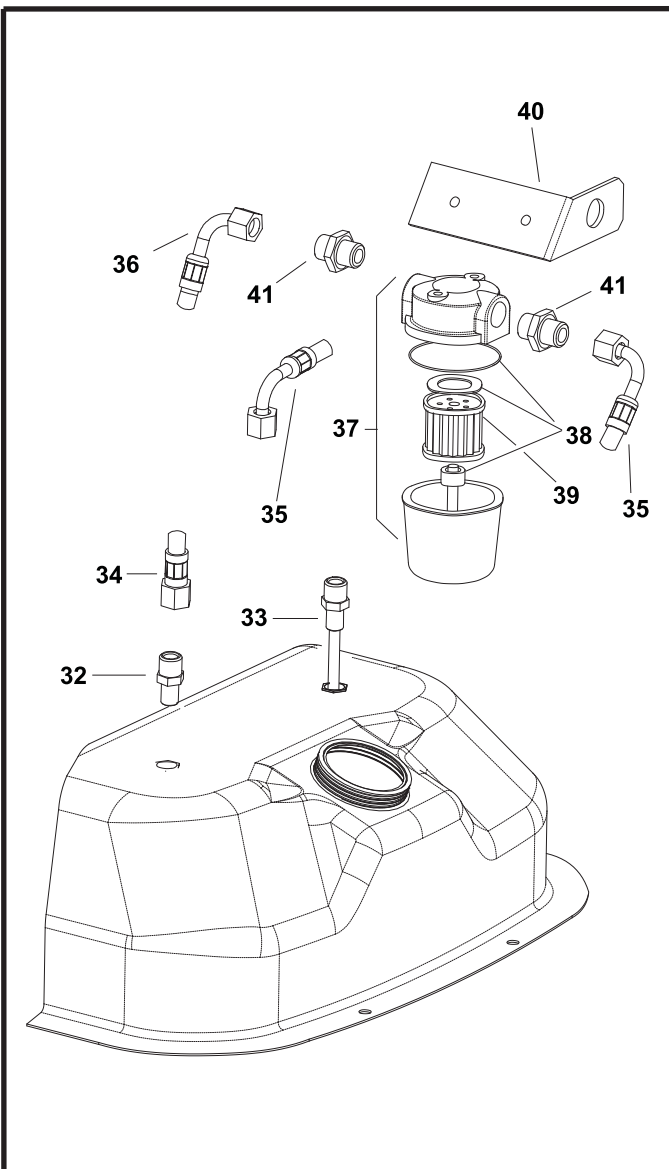


58-A	
POWER CORD NEW ZEALAND	
58-B	
POWER CORD UK	

MODEL BV290 E

UNIT 2

ILLUSTRATED PARTS BREAKDOWN



MODEL BV290 E

UNIT 3

PARTS LIST

Pos.	Code NR	Description	Rev. D - May 2013
1	4032.456	UPPER BODY	
2	4033.263	UPPER BODY MOBILE	
3	4032.385	CHIMNEY	
4	4032.465	INLET GRILL	
5	4032.370	MOTOR 4P 750 W	
6	4033.019	FAN	
7	4032.518	CENTRAL AIR FLAP	
8	4104.170	CLIP NUT	
9	4111.056	PROTECTION CABLE	
10	4032.463	MOTOR FLANGE SUPPORT	
11	4032.462	AIR FLAP	
12	4160.646	PROTECTION CABLE	
13	4111.241	ELASTIC PLATE	
14	4032.480	HANDLE FRAME	
15	4260.100	TANK CAP	
16	4290.083	TANK FILTER	
17	4100.632	DRAIN PLUG	
18	4032.476	FOOT FRAME	
19	4101.151	PROTECTION CABLE	
20	4032.536	POWER CORD HOOK	
21	4110.978	WHEEL	
22	4111.480	WHEEL PLUG	
23	4111.072	WHEEL HOLDER	
24	4032.478	AXLE	
25	4033.243	FUEL TANK	
26	4032.466	ELECTR. COMPONENTS DRAWER PANEL	
27	4032.470	LATERAL PANEL	
28	4032.468	REAR PANEL	
29	4033.264	LOWER BODY	
30	4033.190	COMBUSTION CHAMBER	
31	4033.223	OUTLET CONE	
32	4031.068	CONN. STRAIGHT 1/4"	
33	4031.067	PIPE CONNECTION 1/4"	
34	4031.062	FUEL PIPE PUMP-TANK	
35	4031.063	FUEL PIPE TANK-FILTER	
36	4031.061	FUEL PIPE FILTER-PUMP	
37	4033.090	FILTER CARTIDGE 3/8"	
38	4111.116	OR KIT FILTER	
39	4031.494	FILTER CARTIDGE	
40	4032.437	FILTER SUPPORT	
41	4031.064	DOUBLE SCREW	
43	4160.646	PROTECTION CABLE	
44	4033.257	PLASTIX BOX	
45	4110.490	HT CABLE	
46	4033.256	POWER CORD TRANSFORMATOR HT	
47	4106.238	KIT TRANSFORMER HT	
48	4033.249	CONTROL BASE	
49	4033.250	CONTROL BOX	
50	4160.639	POP RIVET 4 WAY	
51	4111.032	RELAY	
52	4111.040	FUSE	
53	4033.301	FUSE HOLDER	
54	4033.248	FRONTAL CONTROLS PANEL	

ESP00140

MODEL BV290 E

UNIT 4

PARTS LIST

Pos.	Code NR	Description	Rev. D - May 2013
55	4033.254	PANEL LABEL	
56	4100.656	LOCKNUT	
57	4150.528	STRAIN RELIEF BUSHING	
58	4033.253	POWER CORD SCHUKO	
58-A	4033.252	POWER CORD NEW ZEALAND	
58-B	4033.302	POWER CORD UK	
59	4162.467	THERMOSTAT CAP	
60	4161.400	CONNECTION PLUG	
61	4160.647	THERMOSTAT SOCKET 90°	
62	4260.105	FUEL GAUGE	
63	4165.204	ROCKER SWITCH	
64	4033.251	BOARD BUTTON CAP	
71	4111.081	COUPLING	
72	4033.122	PUMP	
73	4161.501	CONN. STRAIGHT 1/8"	
74	4033.198	ELBOW 1/8"	
75	4033.186	OIL SUPPLY PIPE	
76	4033.087	PUMP POWER CORD	
77	4033.246	PHOTOCELL	
80	4033.059	BURNER FLANGE	
81	4031.030	NOZZLE	
82	4033.071	TURBO DISC	
83	4032.454	M6 NUT	
84	4032.453	AIR REGULATION FLAP	
86	4031.047	LIMIT THERMOSTAT	
87	4111.826	ELECTRODE	

RECOMMENDED SPARE PARTS

POS.	Code NR	Description	Rev. D - May 2013
7	4032.370	MOTOR 4P 750 W	
38	4111.116	OR KIT FILTER	
39	4031.494	FILTER CARTIDGE	
52	4111.040	FUSE	
59	4162.467	THERMOSTAT CAP	
49	4033.250	CONTROL BOX	
51	4031.514	RELAY	
45	4110.490	HT CABLE	
71	4111.081	COUPLING	
72	4033.122	PUMP	
76	4033.087	PUMP POWER CORD	
77	4033.246	PHOTOCELL	
81	4031.030	NOZZLE	
86	4031.047	LIMIT THERMOSTAT	
87	4111.826	ELECTRODE	

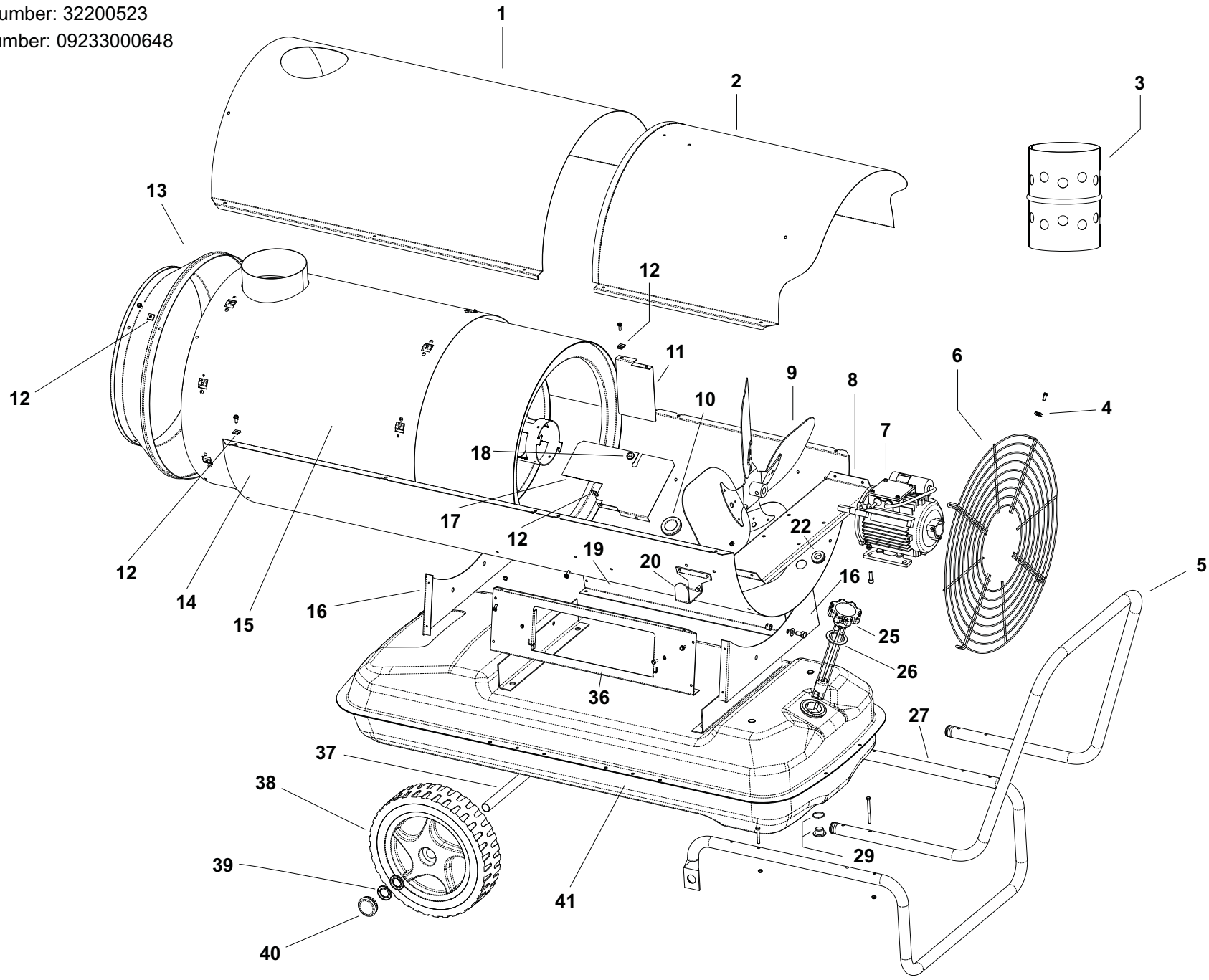
MODEL BV290 E

UNIT 1

ILLUSTRATED PARTS BREAKDOWN

From Serial Number: 32200523
Until Serial Number: 09233000648

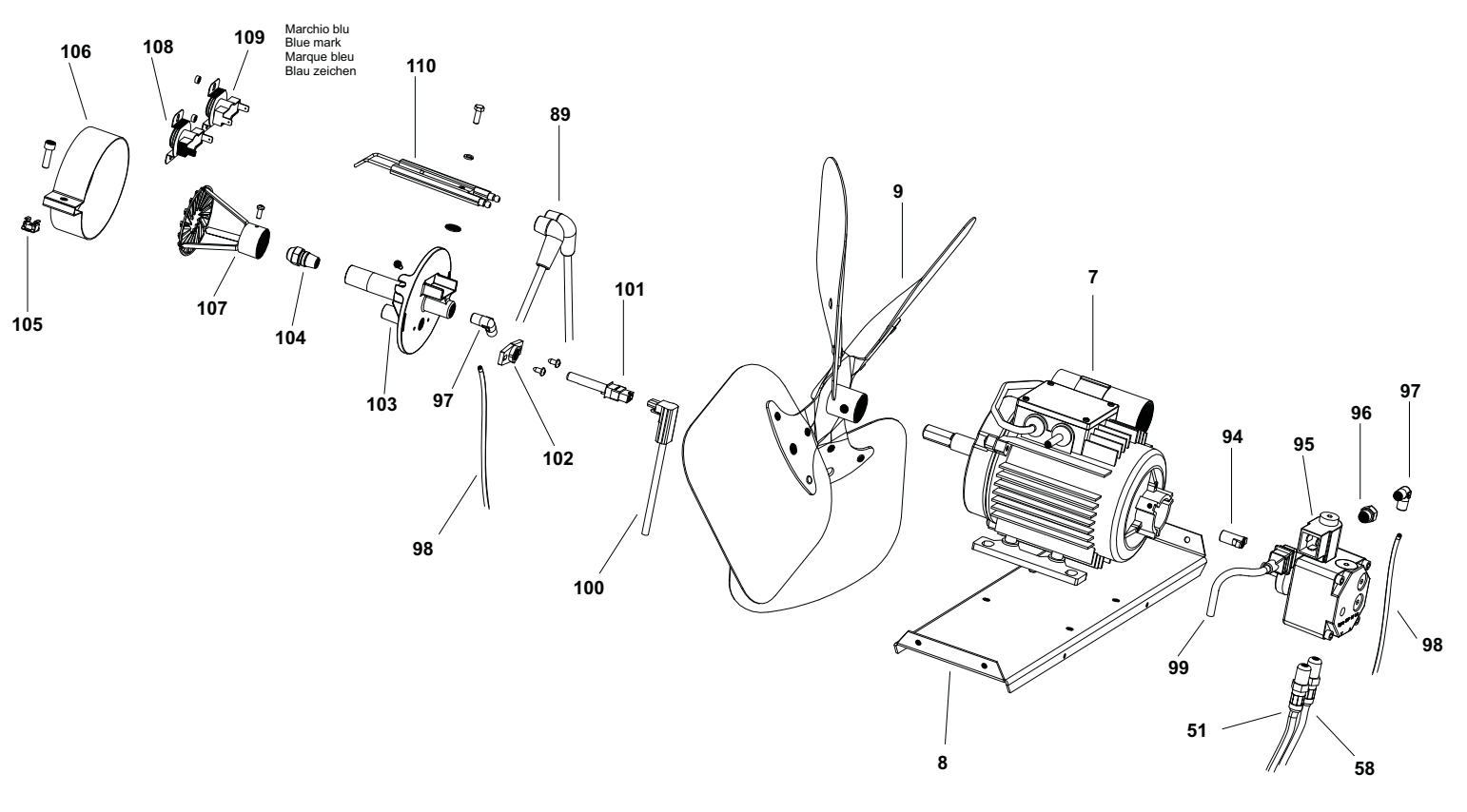
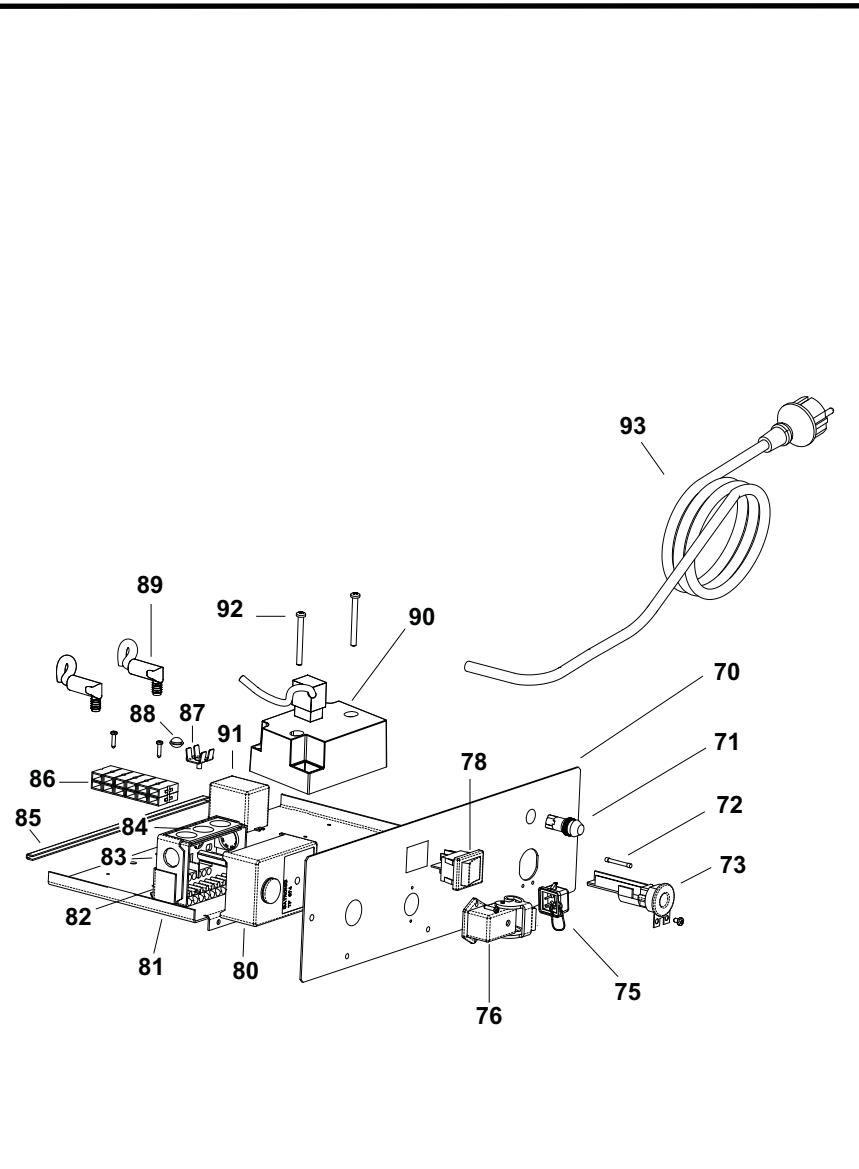
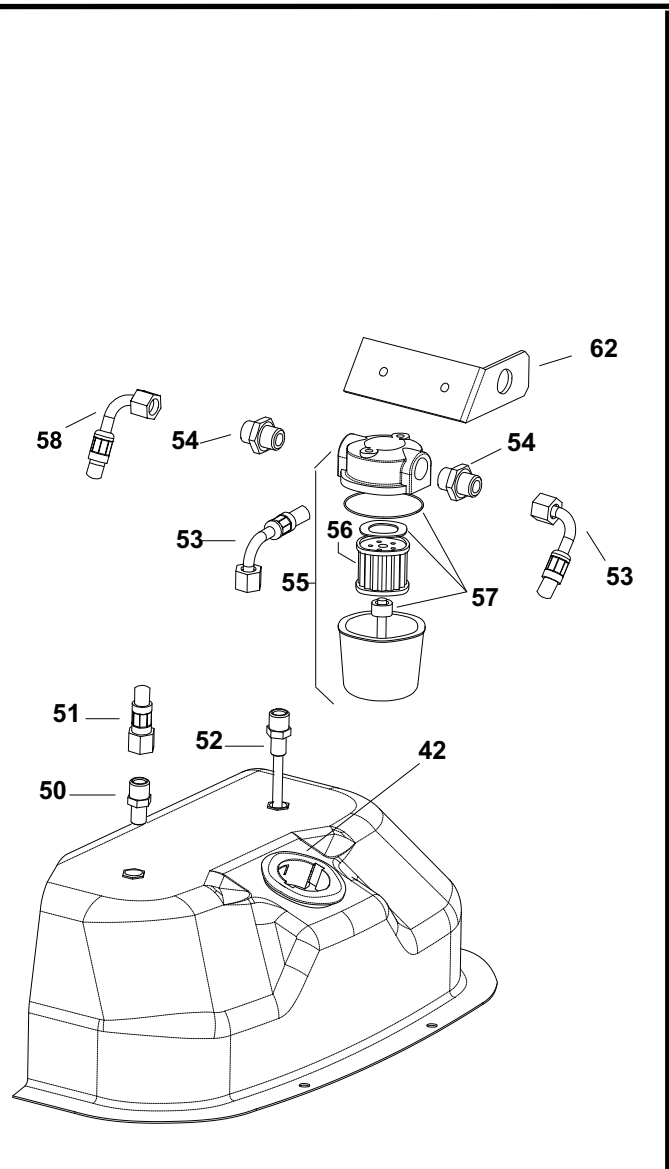
Rev.C - May 2012



MODEL BV290 E

UNIT 2

ILLUSTRATED PARTS BREAKDOWN



MODEL BV290 E

UNIT 3

PARTS LIST

Pos.	Code NR	Description	Rev. C - May 2012
1	4032.456	UPPER BODY	
2	4032.458	UPPER BODY MOBILE	
3	4032.385	CHIMNEY	
4	4111.241	ELASTIC PLATE	
5	4032.480	HANDLE FRAME	
6	4032.465	INLET GRILL	
7	4032.370	MOTOR 4P 750 W	
8	4032.463	MOTOR FLANGE SUPPORT	
9	4033.019	FAN	
10	4111.056	PROTECTION CABLE	
11	4032.518	CENTRAL AIR FLAP	
12	4104.170	CLIP NUT	
13	4032.452	OUTLET CONE	
14	4032.460	LOWER BODY	
15	4033.190	COMBUSTION CHAMBER	
16	4032.470	BASE	
17	4032.462	AIR FLAP	
18	4101.151	PROTECTION CABLE	
19	4032.468	SIDE PANEL	
20	4032.536	POWER CORD HOOK	
22	4160.646	PROTECTION CABLE	
25	4032.475	FUEL LEVEL PROBE	
26	4032.537	TANK PLUG SEAL	
27	4032.476	FOOT FRAME	
29	4100.632	DRAIN PLUG	
36	4032.466	ELECTR. COMPONENTS DRAWER PANEL	
37	4032.478	AXLE	
38	4110.978	WHEEL	
39	4111.072	WHEEL HOLDER	
40	4111.480	WHEEL PLUG	
41	4033.092	FUEL TANK	
42	4032.472	NECK PLASTIC FILLER	
50	4031.068	CONN. STRAIGHT 1/4"	
51	4031.062	FUEL PIPE PUMP-TANK	
52	4031.067	PIPE CONNECTION 1/4"	
53	4031.063	FUEL PIPE TANK-FILTER	
54	4031.064	DOUBLE SCREW	
55	4033.090	FILTER WITH CARTRIDGE 3/8"	
56	4031.494	FILTER CARTRIDGE	
57	4111.116	OR KIT FILTER	
58	4031.061	FUEL PIPE FILTER-PUMP	
62	4032.437	FILTER SUPPORT	
70	4032.446	ELECTRIC. COMPONENTS DRAWER	
71	4117.058	PILOT LAMP	
72	4111.040	FUSE (6,3x32) 10 A	
73	4111.038	CABLE FASTENER	
75	4162.467	THERMOSTAT PLUG	
76	4111.119	PLATE PLUG	
78	4160.637	SWITCH	
80	4110.968	CONTROL BOX SATRONIC	
81	4032.448	ELECTR. COMPONENTS BASE	
82	4032.499	CONTROL BOX SUPPORT	
83	4110.969	CONTROL BOX BASE	
84	4110.967	SUPPORT PG PHOTOCCELL	

ESP00140

MODEL BV290 E

UNIT 4

PARTS LIST

Pos.	Code NR	Description	Rev. C - May 2012
85	4110.155	EDGE LINER	
86	4111.033	TERMINAL BOARD	
87	4160.639	POP RIVET WITH TERMIN. 4 WAY	
88	4032.450	PLASTIC PIN	
89	4110.490	H.T. CABLE	
90	4111.890	KIT TRANSFORMER	
91	4111.032	RELAY FINDER	
92	4160.421	M4 SCREW	
93	4111.153	POWER CORD	
94	4111.081	COUPLING SIMEL	
95	4033.122	PUMP DANFOSS	
96	4161.501	NUT FOR BICONE 1/8	
97	4033.198	ELBOW 1/8"	
98	4033.186	OIL SUPPLY PIPE	
99	4033.087	PUMP POWER CORD	
100	4110.970	PHOTOCELL CONN.CABLE	
101	4110.966	PHOTOCELL	
102	4111.076	PHOTOCELL BLOCK BRACKET	
103	4033.059	BURNER FLANGE	
104	4031.030	NOZZLE 1,50 GPH 80°S	
105	4032.454	M6 NUT	
106	4032.453	AIR REGULATION FLAP	
107	4033.071	TURBO DISC	
108	4031.045	FAN THERMOSTAT	
109	4031.047	LIMIT THERMOSTAT	
110	4111.826	ELECTRODE	

RECOMMENDED SPARE PARTS

POS.	Code NR	Description	Rev. C - May 2012
7	4032.370	MOTOR 4P 750 W	
57	4111.116	OR KIT FILTER	
56	4031.494	FILTER CARTRIDGE	
72	4111.040	FUSE (6,3x32) 10 A	
75	4162.467	THERMOSTAT PLUG	
76	4111.119	PLATE PLUG	
80	4110.968	CONTROL BOX SATRONIC	
91	4111.032	RELAY FINDER	
90	4111.890	KIT TRANSFORMER	
89	4110.490	H.T. CABLE	
94	4111.081	COUPLING SIMEL	
95	4033.122	PUMP DANFOSS	
99	4033.087	PUMP POWER CORD	
100	4110.970	PHOTOCELL CONN.CABLE	
101	4110.966	PHOTOCELL	
104	4031.030	NOZZLE 1,50 GPH 80°S	
108	4031.045	FAN THERMOSTAT	
110	4111.826	ELECTRODE	
109	4031.047	LIMIT THERMOSTAT	

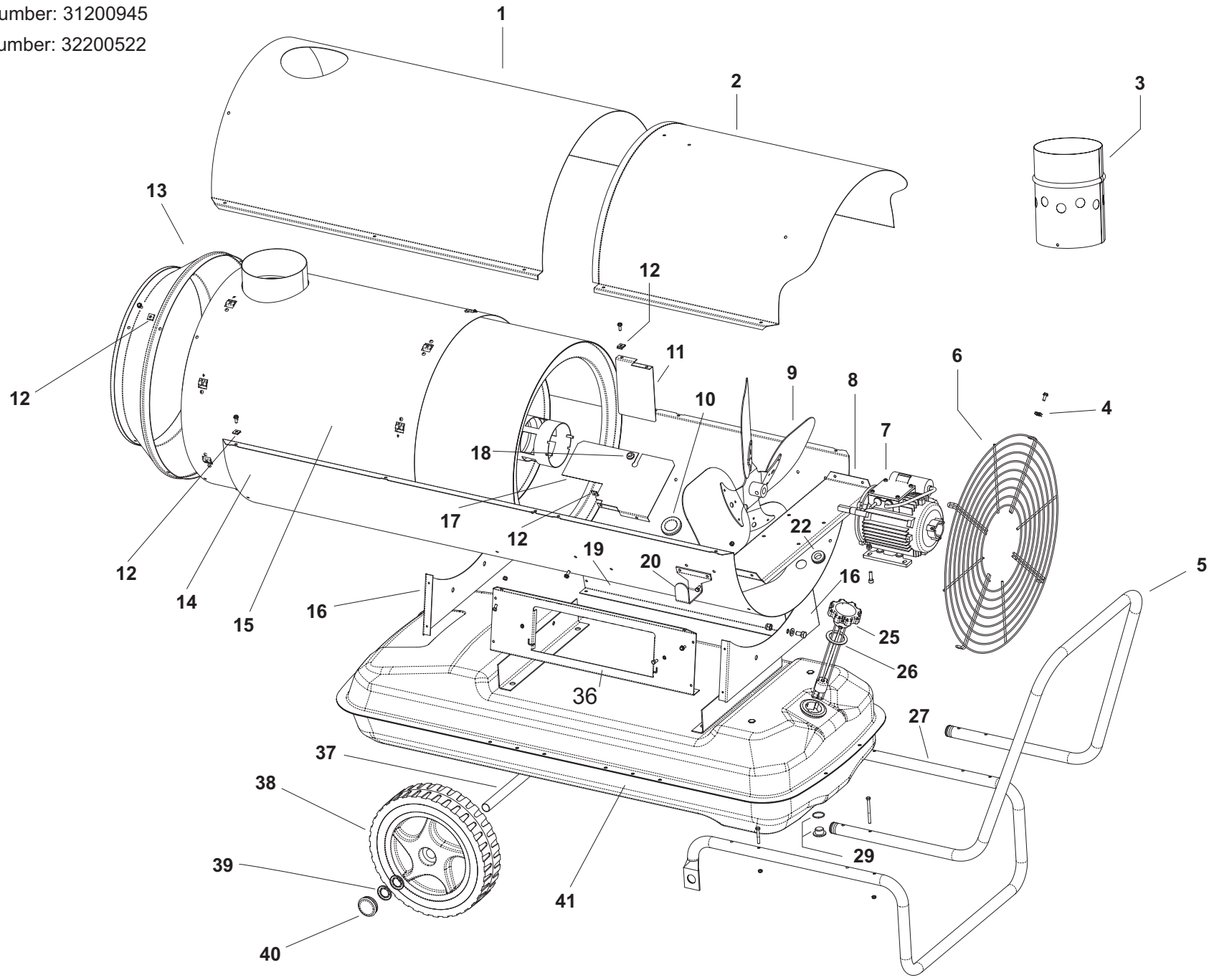
MODEL BV290 E

UNIT 1

ILLUSTRATED PARTS BREAKDOWN

From Serial Number: 31200945
Untill Serial Number: 32200522

Rev. B - May 2011



MODEL BV290 E

UNIT 3

PARTS LIST

Pos.	Code NR	Description	Rev. B - May 2011
1	4032.456	UPPER BODY	
2	4032.458	UPPER BODY MOBILE	
3	4032.385	CHIMNEY	
4	4111.241	ELASTIC PLATE	
5	4032.480	HANDLE FRAME	
6	4032.465	INLET GRILL	
7	4032.370	MOTOR 4P 750 W	
8	4032.463	MOTOR FLANGE SUPPORT	
9	4033.019	FAN	
10	4111.056	PROTECTION CABLE	
11	4032.518	CENTRAL AIR FLAP	
12	4104.170	CLIP NUT	
13	4032.452	OUTLET CONE	
14	4032.460	LOWER BODY	
15	4032.408	COMBUSTION CHAMBER	
16	4032.470	BASE	
17	4032.462	AIR FLAP	
18	4101.151	PROTECTION CABLE	
19	4032.468	SIDE PANEL	
20	4032.536	POWER CORD HOOK	
22	4160.646	PROTECTION CABLE	
25	4032.475	FUEL LEVEL PROBE	
26	4032.537	TANK PLUG SEAL	
27	4032.476	FOOT FRAME	
29	4100.632	DRAIN PLUG	
36	4032.466	ELECTR. COMPONENTS DRAWER PANEL	
37	4032.478	AXLE	
38	4110.978	WHEEL	
39	4111.072	WHEEL HOLDER	
40	4111.480	WHEEL PLUG	
41	4033.092	FUEL TANK	
42	4032.472	NECK PLASTIC FILLER	
50	4031.068	CONN. STRAIGHT 1/4"	
51	4031.062	FUEL PIPE PUMP-TANK	
52	4031.067	PIPE CONNECTION 1/4"	
53	4031.063	FUEL PIPE TANK-FILTER	
54	4031.064	DOUBLE SCREW	
55	4033.090	FILTER WITH CARTRIDGE 3/8"	
56	4031.494	FILTER CARTRIDGE	
57	4111.116	OR KIT FILTER	
58	4031.061	FUEL PIPE FILTER-PUMP	
62	4032.437	FILTER SUPPORT	
70	4032.446	ELECTRIC. COMPONENTS DRAWER	
71	4117.058	PILOT LAMP	
72	4111.040	FUSE (6,3x32) 10 A	
73	4111.038	CABLE FASTENER	
75	4162.467	THERMOSTAT PLUG	
76	4111.119	PLATE PLUG	
78	4160.637	SWITCH	
80	4110.968	CONTROL BOX SATRONIC	
81	4032.448	ELECTR. COMPONENTS BASE	
82	4032.499	CONTROL BOX SUPPORT	
83	4110.969	CONTROL BOX BASE	
84	4110.967	SUPPORT PG PHOTOCCELL	

ESP00140

MODEL BV290 E

UNIT 4

PARTS LIST

Pos.	Code NR	Description	Rev. B - May 2011
85	4110.155	EDGE LINER	
86	4111.033	TERMINAL BOARD	
87	4160.639	POP RIVET WITH TERMIN. 4 WAY	
88	4032.450	PLASTIC PIN	
89	4110.490	H.T. CABLE	
90	4111.890	KIT TRANSFORMER	
91	4111.032	RELAY FINDER	
92	4160.421	M4 SCREW	
93	4111.153	POWER CORD	
94	4111.081	COUPLING SIMEL	
95	4033.122	PUMP DANFOSS	
96	4161.501	NUT FOR BICONE 1/8	
97	4161.140	ELBOW 1/8"	
98	4032.433	OIL SUPPLY PIPE	
99	4033.087	PUMP POWER CORD	
100	4110.970	PHOTOCELL CONN.CABLE	
101	4110.966	PHOTOCELL	
102	4111.076	PHOTOCELL BLOCK BRACKET	
103	4032.406	PHOTOCELL SUPPORT	
104	4032.405	BURNER FLANGE	
105	4032.403	NOZZLE SUPPORT	
106	4031.030	NOZZLE 1,50 GPH 80°S	
107	4032.454	M6 NUT	
108	4032.453	AIR REGULATION FLAP	
109	4033.071	TURBO DISC	
110	4031.045	FAN THERMOSTAT	
111	4033.057	ELECTRODE	
112	4032.407	NUT M14	
113	4031.047	LIMIT THERMOSTAT	

RECOMMENDED SPARE PARTS

POS.	Code NR	Description	Rev. B - May 2011
7	4032.370	MOTOR 4P 750 W	
57	4111.116	OR KIT FILTER	
56	4031.494	FILTER CARTRIDGE	
72	4111.040	FUSE (6,3x32) 10 A	
75	4162.467	THERMOSTAT PLUG	
76	4111.119	PLATE PLUG	
80	4110.968	CONTROL BOX SATRONIC	
91	4111.032	RELAY FINDER	
90	4111.890	KIT TRANSFORMER	
89	4110.490	H.T. CABLE	
94	4111.081	COUPLING SIMEL	
95	4033.122	PUMP DANFOSS	
99	4033.087	PUMP POWER CORD	
100	4110.970	PHOTOCELL CONN.CABLE	
101	4110.966	PHOTOCELL	
106	4031.030	NOZZLE 1,50 GPH 80°S	
110	4031.045	FAN THERMOSTAT	
111	4033.057	ELECTRODE	
113	4031.047	LIMIT THERMOSTAT	

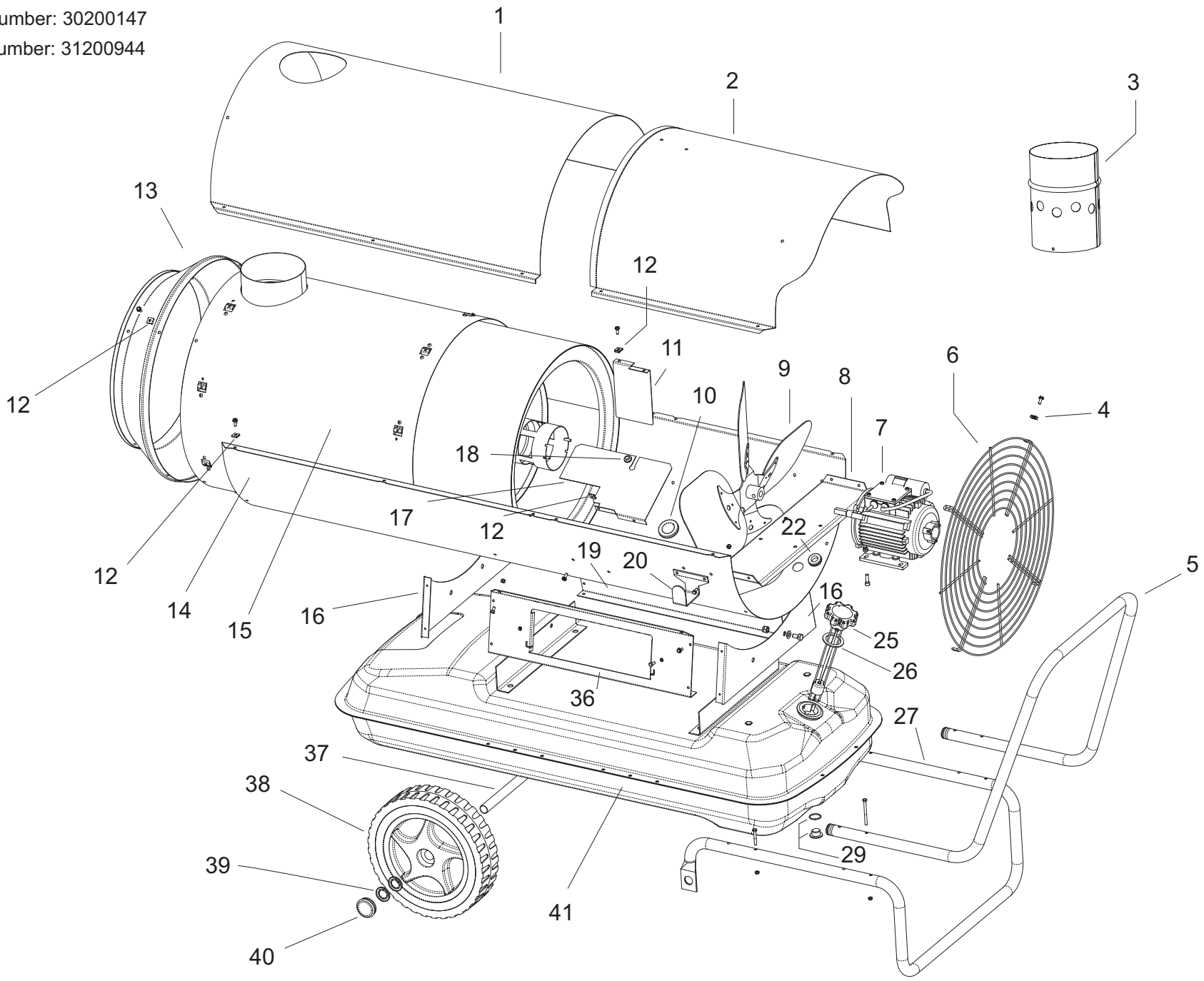
MODEL BV290 E

UNIT 1

ILLUSTRATED PARTS BREAKDOWN

From Serial Number: 30200147
Untill Serial Number: 31200944

Edizione 2010
Rev. A



MODEL BV290 E

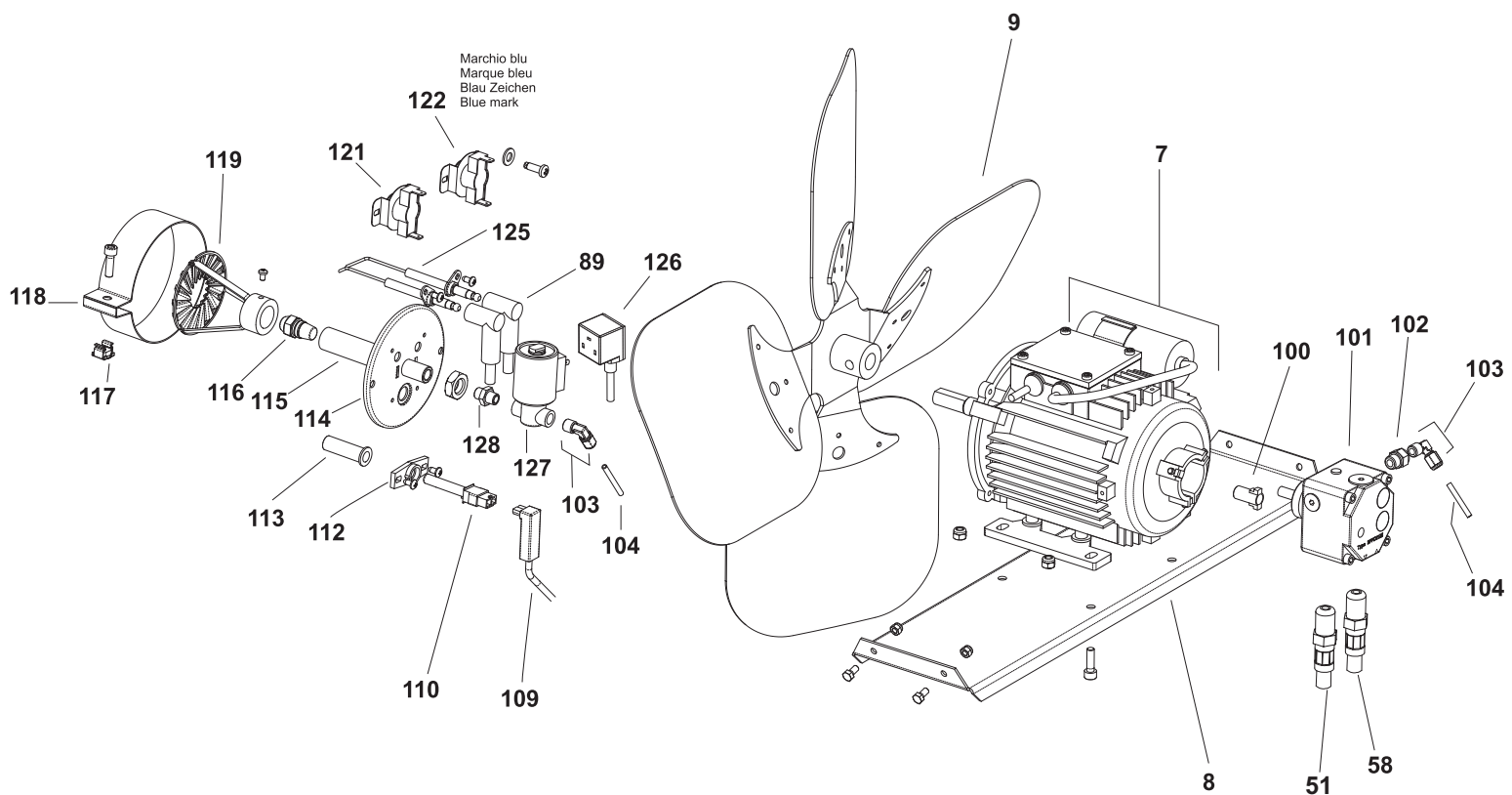
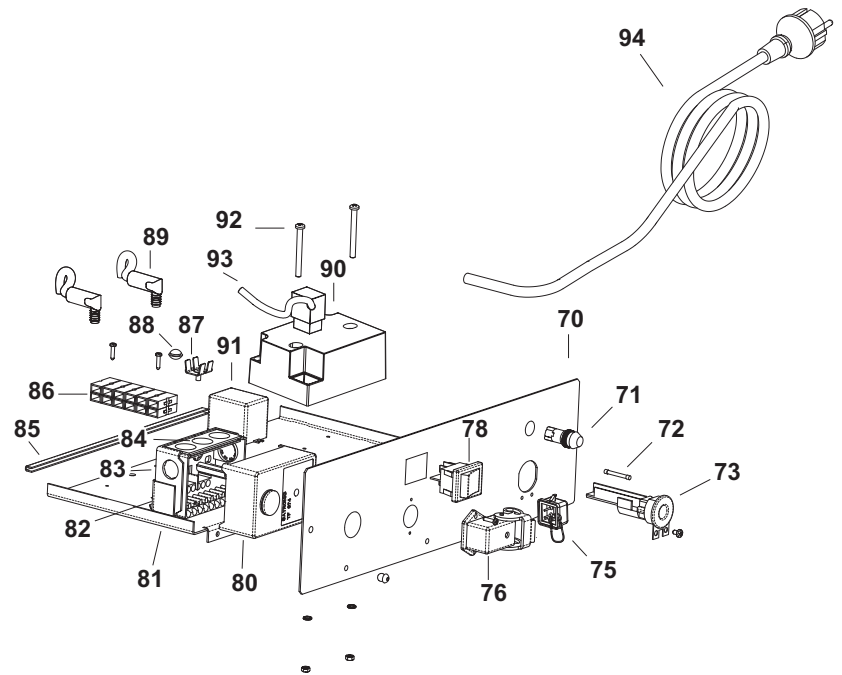
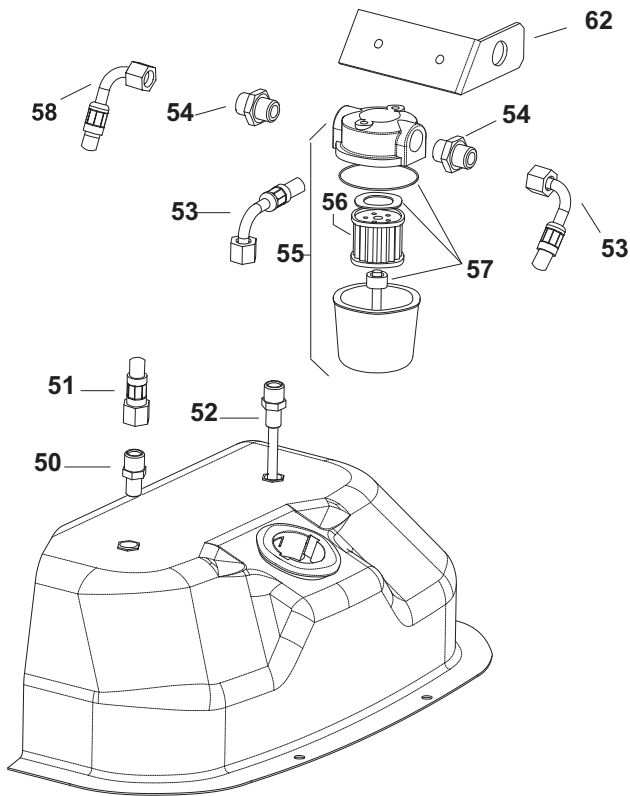
UNIT 2

ILLUSTRATED PARTS BREAKDOWN

From Serial Number: 30200147

Untill Serial Number: 31200944

Edizione 2010
Rev.A



OIL HEATER BV290 E

Pos.	Code NR	Description
1	4032.456	UPPER BODY
2	4032.458	UPPER BODY MOBILE
3	4032.385	CHIMNEY
4	4111.241	ELASTIC PLATE
5	4032.480	HANDLE FRAME
6	4032.465	INLET GRILL
7	4032.431	MOTOR
8	4034.463	MOTOR FLANGE SUPPORT
9	4032.430	FAN
10	4111.056	PROTECTION CABLE
11	4032.518	CENTRAL AIR FLAP
12	4104.170	CLIP NUT
13	4032.452	OUTLET CONE
14	4032.460	LOWER BODY
15	4032.408	COMBUSTION CHAMBER
16	4032.470	BASE
17	4032.462	AIR FLAP
18	4101.151	PROTECTION CABLE
19	4032.468	SIDE PANEL
20	4032.536	POWER CORD HOOK
22	4160.646	PROTECTION CABLE
25	4032.475	FUEL LEVEL PROBE
26	4032.537	TANK PLUG SEAL
27	4032.476	FOOT FRAME
29	4100.632	DRAIN PLUG
36	4032.466	ELECTR. COMPONENTS DRAWER PANEL
37	4032.478	AXLE
38	4110.978	WHEEL
39	4111.072	WHEEL HOLDER
40	4111.480	WHEEL PLUG
41	4032.439	FUEL TANK
50	4031.068	CONN. STRAIGHT 1/4"
51	4031.062	FUEL PIPE PUMP-TANK
52	4031.067	PIPE CONNECTION 1/4"
53	4031.063	FUEL PIPE TANK-FILTER
54	4031.064	DOUBLE SCREW
55	4031.070	FILTER WITH CARTIDGE 3/8"
56	4031.015	FILTER CARTRIDGE
57	4111.116	OR KIT FILTER
58	4031.061	FUEL PIPE FILTER-PUMP
62	4032.437	FILTER SUPPORT
70	4032.446	ELECTRIC. COMPONENTS DRAWER
71	4117.058	PILOT LAMP
72	4111.040	FUSE (6,3x32) 10 A
73	4111.038	CABLE FASTENER
75	4111.118	THERMOSTAT PLUG
76	4111.119	PLATE PLUG

78	4160.637	SWITCH
80	4110.968	CONTROL BOX SATRONIC
81	4032.448	ELECTR. COMPONENTS BASE
82	4032.499	CONTROL BOX SUPPORT
83	4110.969	CONTROL BOX BASE
84	4110.967	SUPPORT PG PHOTOCCELL
85	4110.155	EDGE LINER
86	4111.033	TERMINAL BOARD
87	4160.639	POP RIVET WITH TERMIN. 4 WAY
88	4032.450	PLASTIC PIN
89	4110.490	H.T. CABLE
90	4031.541	TRANSFORMER
91	4111.032	RELAY FINDER
92	4160.421	M4 SCREW
93	4110.491	TRANSFORMER POWER CORD
94	4111.153	POWER CORD
100	4111.081	COUPLING SIMEL
101	4031.476	PUMP DANFOSS
102	4161.501	NUT FOR BICONE 1/8
103	4161.140	ELBOW 1/8"
104	4032.433	OIL SUPPLY PIPE
109	4110.970	PHOTOCCELL CONN.CABLE
110	4110.966	PHOTOCCELL
112	4111.076	PHOTOCCELL BLOCK BRACKET
113	4032.406	PHOTOCCELL SUPPORT
114	4032.405	BURNER FLANGE
115	4032.403	NOZZLE SUPPORT
116	4031.030	NOZZLE 1,50 GPH 80°S
117	4032.454	M6 NUT
118	4032.453	AIR REGULATION FLAP
119	4032.570	TURBO DISC
121	4031.045	FAN THERMOSTAT
122	4031.047	LIMIT THERMOSTAT
125	4032.785	ELECTRODE
126	4032.110	POWER CORD SOLENOIDE SPOOL
127	4102.535	SOLENOID SPOOL 230V/50Hz
128	4160.968	CONN. STRAIGHT 1/8"